

HF

HECTOR FINCH

LIGHTING

PAOLA PENDANT, SMALL, MARRONE

Made by Nason Moretti, one of Murano's oldest glass factories, these globes are of the highest quality, resulting in intense colours and wonderful luminosity.

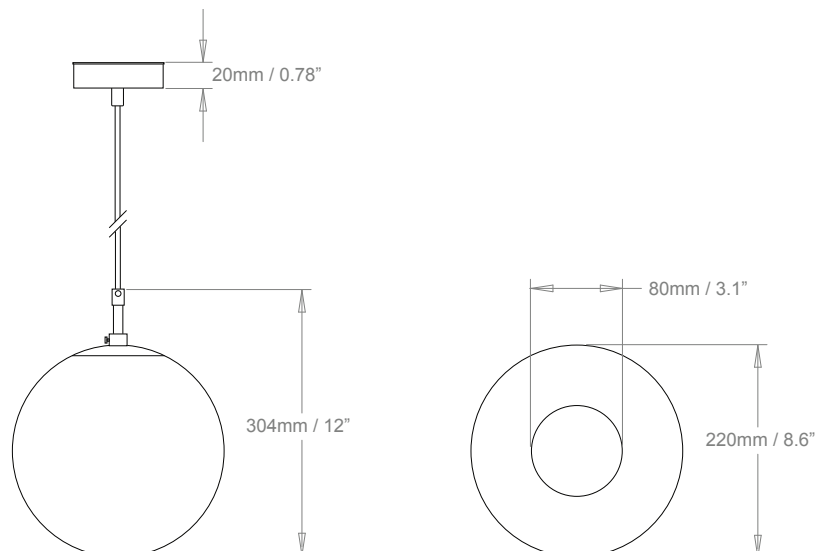
Please note these globes are individually hand-blown and may contain small imperfections which are part of the glass-blowing process.



PRODUCT CODE PL350S

CATEGORY: CHANDELIERS & PENDANTS

DIMENSIONS



PAOLA PENDANT, SMALL

LAMP TYPE INCANDESCENT	UK 1 x 60w (Max) E27 Golfball	USA 1 x 60W (Max) E26 General Service
FINISH OPTIONS	Antique Brass, Brass Polished & Lacquered, Brass Polished & Unlacquered, Bronze (shown) and Nickel Polished.	
SIZE & SIMILAR OPTIONS	Paola Wall Light (WL401) and Paola Pendant, Large (PL350L).	
APPLICATION	Suitable for indoor use.	

CLEANING & MAINTENANCE

Metalwork - use a soft, dry cloth

Shade - wipe gently with a dry cloth or dust lightly with a feather duster. Repeat regularly to prevent build up of dust. Regular cleaning will prevent the possibility of dust becoming ingrained. DO NOT let water or moisture near the shade.