

Pikul

Thailand, 2019

Single lamps

Small



Medium



Large



Sets of lamps

Set of 3 lamps

Includes:
1 x S
1 x M
1 x L



Set of 6 lamps

Includes:
2 x S
2 x M
2 x L



Set of 9 lamps

Includes:
3 x S
3 x M
3 x L



Series

Table

Fits a
Small
lampshade



Floor

Fits a
Medium
lampshade



Wall

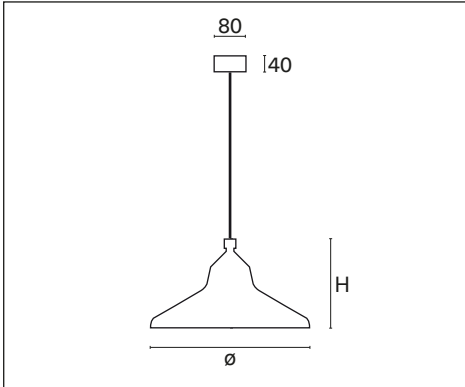
Fits a
Large
lampshade



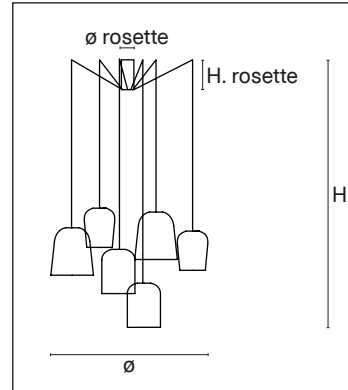
No two PET Lamps are alike, each one is unique.

Measures and specifications

Single lamps



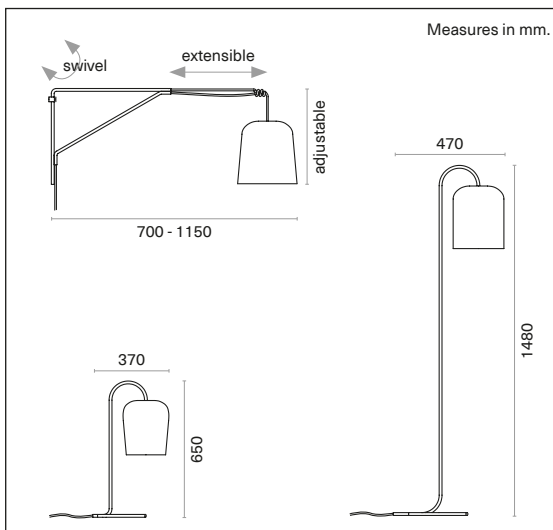
Sets of lamps



MODEL		LAMP SHADE (approx.)	WEIGHT	PHOSPHATED ROSETTE	RUSTED ROSETTE	TEXTILE CABLE	KRAFT CABLE	STEEL CABLE	BASE	INPUT POWER	LIGHT BULB	STEEL CABLE HOLDER	PACKAGING
PIKUL	SIZE S	Ø 20, H 24 cm	0,3 kg	X		1,6 m			E14/E12	4W	T25		35 x 30 x 25 cm. 1,4 kg
	SIZE M	Ø 21, H 27 cm	0,3 kg	X		1,6 m			E14/E12	4W	T25		35 x 30 x 25 cm. 1,4 kg
	SIZE L	Ø 27, H 29 cm	0,4 kg	X		1,6 m			E14/E12	4W	T25		50 x 40 x 40 cm. 1,5 kg

MODEL		MEASURES (approx.)	WEIGHT	PHOSPHATED ROSETTE	RUSTED ROSETTE	TEXTILE CABLE	KRAFT CABLE	STEEL CABLE	BASE	INPUT POWER	LIGHT BULB	CABLE HOLDER	STEEL CABLE HOLDER	PACKAGING
PIKUL	SET OF 3	Ø 0,7 m H 1,6 m	1,6 kg	Ø 8 cm H 17 cm		1 x 1,3 m 1 x 1,5 m 1 x 1,7 m			3 x E14/E12	12 W	3 x T25	3		50 x 40 x 40 cm 2,8 kg
	SET OF 6	Ø 1 m H 1,6 m	2,7 kg	Ø 8 cm H 17 cm		2 x 1,4 m 2 x 1,6 m 2 x 1,8 m			6 x E14/E12	24 W	6 x T25	6		60 x 50 x 55 cm 4,7 kg
	SET OF 9	Ø 1,4 m H 1,6 m	3,5 kg	Ø 10 cm H 21 cm		3 x 1,6 m 3 x 1,8 m 3 x 2 m			9 x E14/E12	36 W	9 x T25	9		80 x 60 x 60 cm 7,5 kg

Series



MODEL		LAMP SHADE	TEXTILE CABLE	BASE	INPUT POWER	LIGHT BULB	PACKAGING
PIKUL	TABLE	Small	2 m	E14/E12	4W	T25	72 x 35 x 28 cm. 4 kg
	FLOOR	Medium	2,5 m	E14/E12	4W	T25	155 x 40 x 40 cm. 5 kg
	WALL	Large	4,7 m	E14/E12	4W	T25	65 x 50 x 32 cm. 5 kg

Materials

The lampshades are handmade solely out of reused PET bottles and local fibers depending on the collection:

Pikul: Bamboo (*Bambusoideae*).

Maintenance

Gently wipe the lampshades with a damp towel, avoiding the use of ammonia, solvents or abrasive cleaning products.

PET Lamp is a handmade product and small imperfections and irregularities in colors and shapes are part of the aesthetic and value of the product.

The residual heat generated by the LED bulb does not affect the PET bottle neither the safety use of the lamp.

Certifications

CE certification applies to all the models.

UL certification applies to all the models but Pikul Series (Table, Floor and Wall). However we can provide all of the electrical components UL approved and the lamp works perfectly in the UL market.

CE Technical specifications

Lamp for indoor use only.

Input voltage: 220-240 V.

Lamp holders: E14, E27 max. 10W.

All Pikul Series fit a type C plug as standard.

Type G plug for UK is available under request.

CE Cables

The electric cable is an essential part of PET Lamp and that is why we supply a custom made cable made out of silicone and with textile or kraft paper wrapping depending on the collection.

Pikul fits textile black cable as standard.

Light source

The included light bulbs have been carefully selected to fit the best each PET Lamp model. We strongly advise to always use the recommended light bulbs.

T25:

Filament LED bulb.

Diameter: 25 mm

Length: 85 mm

Power: 4 W

Lumens: 400 Lm

Base: E14 (UL: E12)

Color temp: 2700K

Lifetime: 10000 hours

CRI: > 80

Suitable for dimming

Instant full light

Energy efficiency class: A+



T25

Customization

Customization on the standard models, compositions and components is available under request and quotation. You can customize the following items:

- Selection of colors and patterns in the lampshades according to available stock.
- Selection of lampshades models for a set.
- Special sets with a non standard number of lamps.
- Colors of the cables.
- Length of the cables.
- Finish of the rosette.
- Non standard bulbs.
- Special packing.
- Cableholder for single lamps.
- **UV protector spray on the lampshades.**



UNE-EN 60598



Conforms to UL
Std. 1598

Cert. to CSA

Std. C22.2 No. 250.0

UL Technical specifications

Lamp for indoor use only.

Input voltage: 110-120 V.

Lamp holders: E12, E26 max. 10W.

PET Lamp is ready for standard J-Box installation.

All Pikul Series fit a type A plug as standard.

UL Cables

For the USA and CA market, our CE silicone cable is not allowed. We install a PVC SVT cable to match the certification requirements.

Pikul fits black color cable as standard.

Components: Cable

12 colors are available for the textile cable, and the kraft wrapping for the Chimbarongo collection.



Components

From ACdO we make sure all of our components have the maximum quality. That's why if we don't find them in the market we self produce them in order to fit our requirements.

Cable holder

The cableholder is an essential piece in PET Lamp, it holds the cable to the ceiling in a subtle and efficient way, letting visible the cable passing through it, hiding the screw head and providing visual continuity.

Dimensions: $\varnothing 16 \times H 15$ mm.
Weight: 14 gr
Maximum hanging weight: 2 kg.

Standard with all Eperara Siapidara and Chimbarongo sets of lamps.

Cable holder with cable glider

The cable holder with cable glider resolves two functions in one single piece: to fix the cable glider where the lamp is hanging from to the ceiling, and to hold the power cable when the electric outlet is not above the lamp.

Dimensions: $\varnothing 12 \times H 26$ mm.
Weight: 11 gr

Standard with all Abyssinia and Mapuche Single B and sets of lamps.

Side cable entrance with steel cable holder

This piece was designed specifically for PET Lamp Abyssinia and allows the side entrance of a power cable, with a plastic screw ready to fasten it, and a holder for a steel cable with terminal, where the lampshade will be hanging from.

Dimensions: $\varnothing 16 \times H 32$ mm.
Weight: 10 gr

Standard with all Abyssinia and Mapuche lamps.

