

Mapuche

Chile, 2017

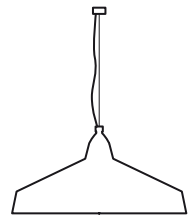
Single lamps



Setting options

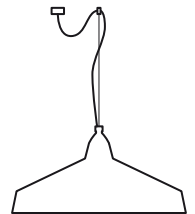
Option A

Steel cable and power cable fixed to ceiling rosette.



Option B

Power cable fixed to ceiling rosette and steel cable fixed independently to the ceiling.



Sets of lamps

Set of 3 lamps



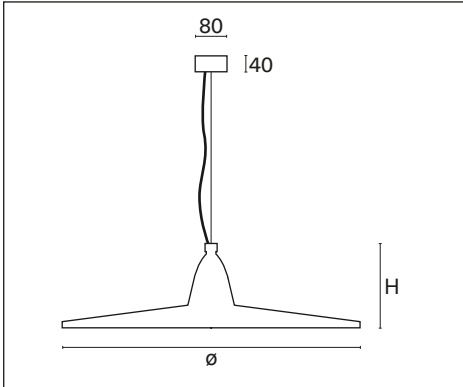
Includes:
3 x Mapuche

This lamp is available to be installed with the 3 lamps in a row instead of circular configuration.

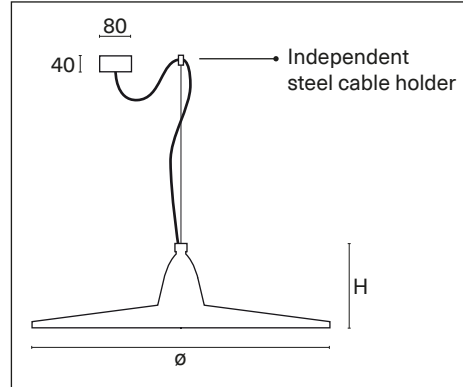
No two PET Lamps are alike, each one is unique.

Measures and specifications

Single lamps A

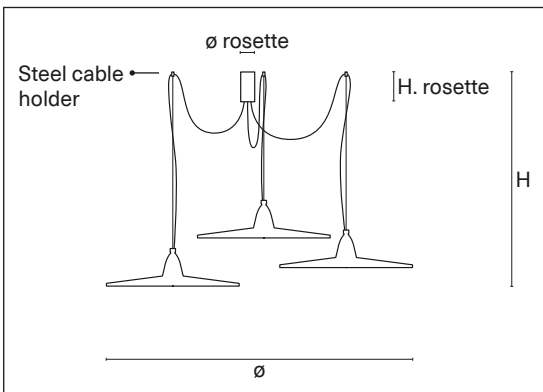


Single lamps B



MODEL		LAMP SHADE (aprox.)	WEIGHT	PHOSPHATED ROSETTE	RUSTED ROSETTE	TEXTILE CABLE	KRAFT CABLE	STEEL CABLE	BASE	INPUT POWER	LIGHT BULB	STEEL CABLE HOLDER	PACKAGING
MAPUCHE	SINGLE A	Ø 70, H 40-45 cm	2,6 kg	X		1,8 m		1,5 m	E27/E26	6W	T45		83 x 83 x 63 cm. 6,9 kg
	SINGLE B	Ø 70, H 40-45 cm	2,7 kg	X		2,5 m		1,5 m	E27/E26	6W	T45	X	83 x 83 x 63 cm. 6,9 kg

Sets of lamps



MODEL		MEASURES (aprox.)	WEIGHT	PHOSPHATED ROSETTE	RUSTED ROSETTE	TEXTILE CABLE	KRAFT CABLE	STEEL CABLE	BASE	INPUT POWER	LIGHT BULB	CABLE HOLDER	STEEL CABLE HOLDER	PACKAGING
MAPUCHE	SET OF 3	Ø 2,5 - 3 m H 1,5 - 2 m	8,2 kg	Ø 8 cm H 17 cm		3 x 2,5 m		2 m	3 x E27/26	18 W	3 x T45		3	83 x 83 x 100 cm 16,9 kg

Materials

The lampshades are handmade solely out of reused PET bottles and local fibers depending on the collection:

Mapuche: Ñocha palm (*Eryngium paniculatum*) and field grass (*Eragrostis tef*).

Maintenance

Gently wipe the lampshades with a damp towel, avoiding the use of ammonia, solvents or abrasive cleaning products.

PET Lamp is a handmade product and small imperfections and irregularities in colors and shapes are part of the aesthetic and value of the product.

The residual heat generated by the LED bulb does not affect the PET bottle neither the safety use of the lamp.

Certifications



UNE-EN 60598



Conforms to UL
Std. 1598
Cert. to CSA
Std. C22.2 No. 250.0

CE Technical specifications

Lamp for indoor use only.

Input voltage: 220-240 V.

Lampholders: E14, E27 max. 10W.

CE Cables

The electric cable is an essential part of PET Lamp and that is why we supply a custom made cable made out of silicone and with textile or kraft paper wrapping depending on the collection. Mapuche fits textile color cable as standard.

Light source

The included light bulbs have been carefully selected to fit the best each PET Lamp model. We strongly advice to always use the recommended light bulbs.

T45:

Filament LED bulb.

Diameter: 45 mm

Lenght: 106 mm

Power: 6 W

Lumens: 600 Lm

Base: E27 (UL: E26)

Color temp: 2700K

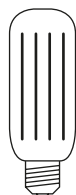
Lifetime: 10000 hours

CRI: > 80

Suitable for dimming

Instant full light

Energy efficiency class: A+



T45

Customization

Customization on the standard models, compositions and components is available under request and quotation. You can customize the following items:

- Selection of colors and patterns in the lampshades according to available stock.
- Selection of lampshades models for a set.
- Special sets with a non standard number of lamps.
- Colors of the cables.
- Lenght of the cables.
- Finish of the rosette.
- Non standard bulbs.
- Special packing.
- Cableholder for single lamps.
- **UV protector spray on the lampshades.**

UL Technical specifications

Lamp for indoor use only.

Input voltage: 110-120 V.

Lampholders: E12, E26 max. 10W.

PET Lamp is ready for standard J-Box installation.

UL Cables

For the USA and CA market, our CE silicone cable is not allowed. We install a PVC SVT cable to match the certification requirements.

Mapuche fits textile color cable as standard.

Components: Cable

12 colors are available for the textile cable, and the kraft wrapping for the Chimbarongo collection.



Components

From ACdO we make sure all of our components have the maximum quality. That's why if we don't find them in the market we self produce them in order to fit our requirements.

Cable holder

The cableholder is an essential piece in PET Lamp, it holds the cable to the ceiling in a subtle and efficient way, letting visible the cable passing through it, hiding the screw head and providing visual continuity.

Dimensions: $\varnothing 16 \times H 15$ mm.
Weight: 14 gr
Maximum hanging weight: 2 kg.

Standard with all Eperara Siapidara and Chimbarongo sets of lamps.

Cable holder with cable glider

The cable holder with cable glider resolves two functions in one single piece: to fix the cable glider where the lamp is hanging from to the ceiling, and to hold the power cable when the electric outlet is not above the lamp.

Dimensions: $\varnothing 12 \times H 26$ mm.
Weight: 11 gr

Standard with all Abyssinia and Mapuche Single B and sets of lamps.

Side cable entrance with steel cable holder

This piece was designed specifically for PET Lamp Abyssinia and allows the side entrance of a power cable, with a plastic screw ready to fasten it, and a holder for a steel cable with terminal, where the lampshade will be hanging from.

Dimensions: $\varnothing 16 \times H 32$ mm.
Weight: 10 gr

Standard with all Abyssinia and Mapuche lamps.

