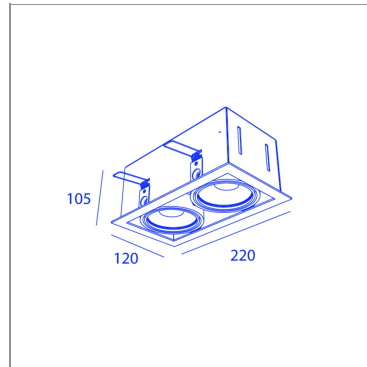




FO95131-2C CL8_24WW

WH/BLK



FO95131-2C CL8_24WW



SPECIFICATIONS

| | |
|-------------------------|---------------------------|
| CUT-OUT SIZE | 205 x 110mm |
| MIN RECESSED HEIGHT | 120mm |
| WEIGHT | 1.4kg |
| INGRESS PROTECTION (IP) | IP20, IP20 inside ceiling |
| GLOW WIRE TEST | 850°C |

LIGHT SPECIFICATIONS

| | |
|----------------------------------|----------|
| LIGHT SOURCES | 1 |
| BEAM ANGLE | 24° |
| COLOR TEMPERATURE | 2700K |
| CRI | 90 |
| LIGHT SOURCE POWER (1 LUMINAIRE) | 10W |
| LIGHT SOURCE OUTPUT | 1440LM |
| LUMINAIRE PERFORMANCE | MAX800LM |

POWER SPECS

| | |
|--------------|---------------------|
| GEAR TRANSFO | included |
| LAMP POWER | 10W |
| DIMMABLE | IGBT/TRIAC DIMMABLE |

COMPLEMENTARY OPTIONS

- BB20200 BB20200 - CONCRETE BOX 2L CONCRETE BOX 2L
- BS0298 HONEYCOMB D50
- BS0383 SQUARE OPTIC
- BS0384 LINEAR SPREAD LENS

REMARKS

! 15° or 38° or 60° beam angle on request > ref=..._15 or ..._38 or ..._60