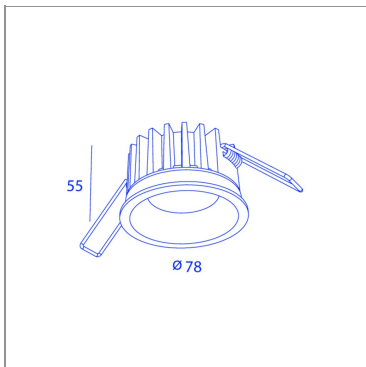




**BS82173A CL7\_30WW**

GR



**BS82173A CL7\_30WW**



850°C



led  
incl

CRI  
80



5  
YEAR  
WARRANTY



### SPECIFICATIONS

CUT-OUT SIZE	Ø73
MIN RECESSED HEIGHT	60mm
WEIGHT	0.3kg
INGRESS PROTECTION (IP)	IP44, IP20 inside ceiling
GLOW WIRE TEST	850°C

### LIGHT SPECIFICATIONS

LIGHT SOURCES	1
BEAM ANGLE	30°
COLOR TEMPERATURE	2700K
CRI	80
LIGHT SOURCE POWER (1 LUMINAIRE)	7W
LIGHT SOURCE OUTPUT	630LM
LUMINAIRE PERFORMANCE	MAX700LM

### POWER SPECS

GEAR TRANSFO	included
LAMP POWER	7W
DIMMABLE	NON DIMMABLE

### REMARKS

! Driver specs: 350mA, Forward Voltage 17,4V