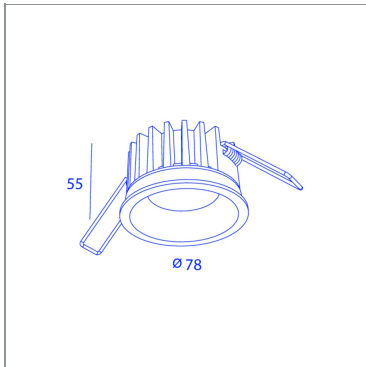




BS82172F CL7_30WW

BLK



BS82172F CL7_30WW



SPECIFICATIONS

CUT-OUT SIZE	Ø73
MIN RECESSED HEIGHT	60mm
WEIGHT	0.3kg
INGRESS PROTECTION (IP)	IP44, IP20 inside ceiling
GLOW WIRE TEST	850°C

LIGHT SPECIFICATIONS

LIGHT SOURCES	1
BEAM ANGLE	30°
COLOR TEMPERATURE	2700K
CRI	80
LIGHT SOURCE POWER (1 LUMINAIRE)	7W
LIGHT SOURCE OUTPUT	630LM
LUMINAIRE PERFORMANCE	MAX700LM

POWER SPECS

GEAR TRANSFO	included
LAMP POWER	7W
DIMMABLE	IGBT/TRIAC/1-10V DIMMABLE

REMARKS

! Driver specs: 350mA, Forward Voltage 17,4V