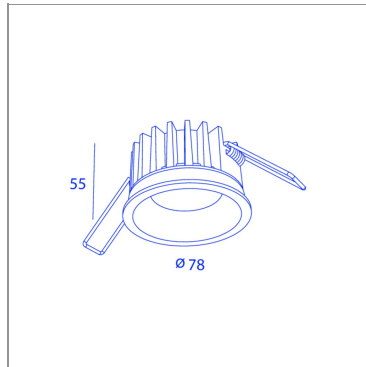
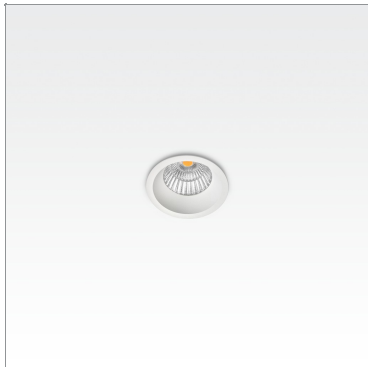




BS82171 CL7_30WW

WH



BS82171 CL7_30WW



850°C



led
incl

CRI
80



IP20
IP44

5
YEAR
WARRANTY



SPECIFICATIONS

CUT-OUT SIZE	Ø73
MIN RECESSED HEIGHT	60mm
WEIGHT	0.3kg
INGRESS PROTECTION (IP)	IP44, IP20 inside ceiling
GLOW WIRE TEST	850°C

LIGHT SPECIFICATIONS

LIGHT SOURCES	1
BEAM ANGLE	30°
COLOR TEMPERATURE	2700K
CRI	80
LIGHT SOURCE POWER (1 LUMINAIRE)	7W
LIGHT SOURCE OUTPUT	630LM
LUMINAIRE PERFORMANCE	MAX700LM

POWER SPECS

GEAR TRANSFO	included
LAMP POWER	7W
DIMMABLE	WITHOUT DRIVER

REMARKS

! Driver specs: 350mA, Forward Voltage 17,4V