



Kalmar Werkstätten

Kalmar Werkstätten believes that producing great design demands flawless execution. Our company is founded on Austria's rich craftsmanship tradition and, in collaboration with today's noteworthy designers, we propel it into the future. Imagination, skill, and quality infuse every step of our work.

Indeed, at Kalmar Werkstätten, craftsmanship is not an excuse for gratuitous material selection or ornamentation. Our products are **pared to the essence—sleek in geometry and delicate in their proportions. And by creating these forms in soulful, meticulously fabricated materials, we infuse rigorous minimalism with warmth and humanity.**

This approach produces a remarkably versatile lighting object. Kalmar Werkstätten's strong design language may command attention. Our table and floor lamps, pendants, and sconces may also blend in discreetly and effortlessly. While this effect changes according to the interior, in every space our products invite use with beautiful illumination, tactile finishes, and honest construction.

Stripped of ornament and legibly fabricated, Kalmar's Werkbund-era luminaires feel particularly relevant to 21st-century conditions. **In 2009 we launched Kalmar Werkstätten to identify the most relevant works from the Kalmar archives, to once again share with the world.** As co-creative directors, Garth Roberts and Nicolo Taliani subsequently reinterpreted the best Werkbund schemes for today's residential and commercial interiors.

Today Roberts helms Kalmar Werkstätten singularly, conceiving new designs that make reference to Kalmar's rich past while anticipating the social and cultural trends that will shape future interiors. He also champions our philosophy of revering materials: **Whether common or opulent, every material serves a unique purpose and conveys special emotional meaning.** Roberts chooses materials for both function and character, and our master craftsmen handle those selections with intense care.

Based on our ongoing efforts, Kalmar Werkstätten lighting today is as classic as it is contemporary. By stewarding a specific regional legacy of creativity, we are shaping a new legacy for design.

Kalmar Since 1881

For 130 years architects and design professionals have sought Kalmar to produce bespoke lighting. Thanks to namesake Julius August Kalmar's values of design and fabrication excellence, almost immediately after the company's 1881 launch it presented celebrated custom cast-bronze works at Gewerbe Ausstellung Wien, in 1888, and the World's Columbian Exposition in 1893.

Julius Thedor Kalmar took the business in a new direction. A student at the Vienna school of applied arts under **Josef Hoffmann**, the founder's son introduced Kalmar to the most progressive movements in decorative arts. By 1925 he was selling designs in Josef Frank and Oskar Wlach's influential avant-garde furnishings shop Haus und Garten. Six years later, Kalmar was making luminaires based solely on Austrian Werkbund schemes.

As an advocate of burgeoning modernism and an exemplar of collaboration and quality, Kalmar played a significant role in this era of design. The company realized lighting concepts for Werkbund members like **Frank and Wlach, Clemens Holzmeister, Oswald Haerdtl, Ernst Plischke, and Oskar Strnad.** Installations in its Stock Exchange, Opera, and Burgtheater made Kalmar synonymous with a new Viennese aesthetic, generally a marriage of industry and handcraft that was stripped of ornament, reverent toward materials, and honest about construction.

Moving beyond a view of its lighting as humble fixtures intended as background, in the 1960's Kalmar began producing decorative glass objects of many scales, which increased demand for the company's products exponentially. In the early 1990's, fourth generation owner **Thomas Calice returned Kalmar to its bespoke roots** and ceased production of stock inventory.

Through Calice's leadership Kalmar's renown continues to expand. In this period it has installed myriad chandeliers and other custom luminaires, in a variety of meticulously executed styles, in international landmarks that include the presidential palace of the **Kremlin, Tretyakov State Gallery, Shanghai Grand Theater, Hotel Okura Tokio and the Leows Miami Beach Hotel.**



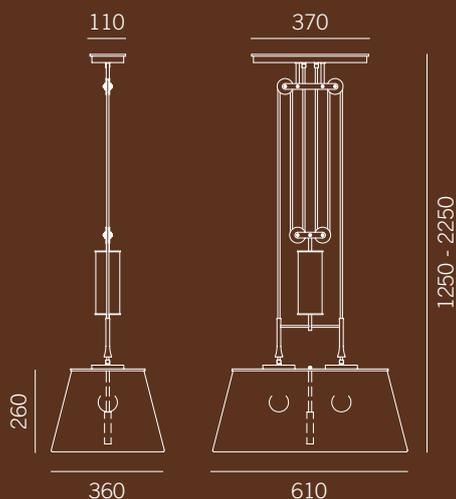
Zylinderzug



Zylinderzug Adjustable Pendant

The Zylinderzug suspended luminaire boasts a large, oval silk shade. Its height adjusts via Kalmár Werkstätten's signature black cord running through four rollers suspended from a ceiling plate, with the counterweight located in the central cylinder. The mechanism, equally an aesthetic accomplishment, is finished in black bronze featuring highlighted edges.

DIMENSIONS in mm



MATERIAL OPTIONS

Metal

Black Bronze with Highlighted Edges

Shade

Silk

Cable

Black Textile

Electrical Specifications

2 x E27 60W

Weight

8.4 kg

©2015 These designs are the exclusive property of J.T. Kalmár GmbH and may not be copied or adapted for this or any other use without express written permission