

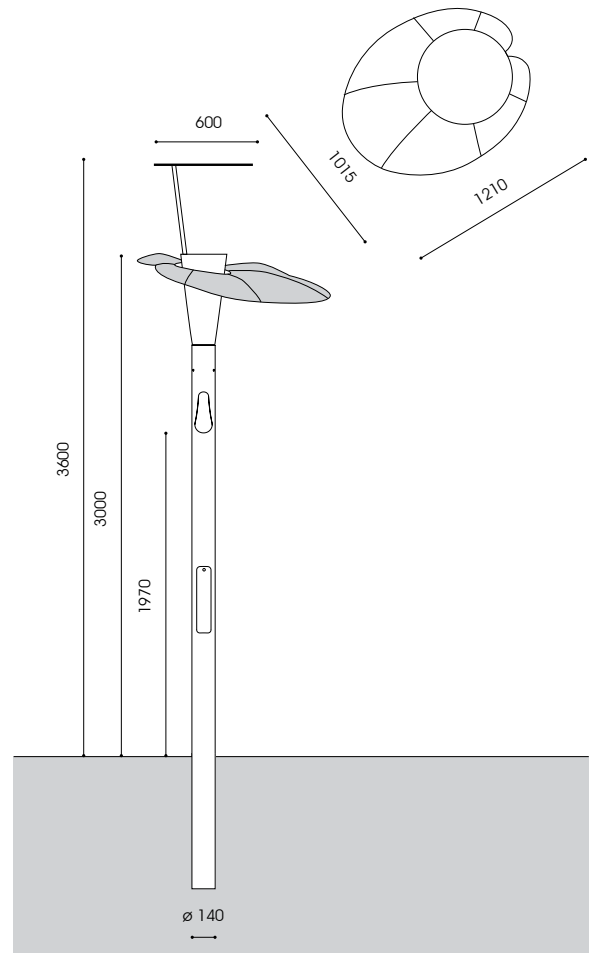
lighting design

FLORA L II/1 LED

CE | Ⓢ | Ⓜ | EN 60598-2-3 | IP 65 | 220V – 240V / 50Hz – 60Hz



total height:	3.60m
light standards:	low lighting requirements
lamp:	incl. TAB-LL3 LED module; LLM LED module
colour temperature:	3.000K warm white or 4.000K neutral white
LED gear:	electronic driver, up to 85,000 hours/ B10; driver with integrated Constant Light Output (CLO) in order to keep the luminous flux the same over the entire life time
LED life expectancy:	LLM LED: up to 100,000 hours; 50,000 hours/ L100/ B10; TAB-LL LED: up to 50,000 hours/ L 70/ B 10
light control:	at extra cost: dimming
optical system:	diffuse
light distribution:	indirect, symmetrical
luminaire head:	cast aluminium, stainless steel; leaf construction made of hot-dip galvanised steel; powder coated; incl. awning cloth in read
column:	straight, cylindrical pole with light drop; made of hot dip galvanised steel; powder coated
colour:	RAL 6017
glazing:	flat, clear toughened glass glazing; dewdrop shape made of PMMA RESIST, opal, high-impact resistant
wiring:	completely wired, incl. cable until access door
installation:	with root to be set into the ground
accessory:	cable junction box – to be ordered separately
application areas:	fancy and close to nature luminaire for kindergardens, parkways, boulevards, schools, hotels, home for elderly people, factory premises, special squaress



lamp	kg	product code
TAB-LL3 LED 23,5W/2.369lm/3.000K+		
LLM LED 9W/1.100lm/3.000K	130,0	6.112.9126.0212A-G40

class II – at extra cost (add "S" at the end)

Technical specifications are subject to change without notice. 03.2018