



E21014XX
Design by Manuel Vivian

Collection consisting of suspended lamps in aluminium, also in a recessed version. Available in several colours.



Typology: SUSPENSION LAMP

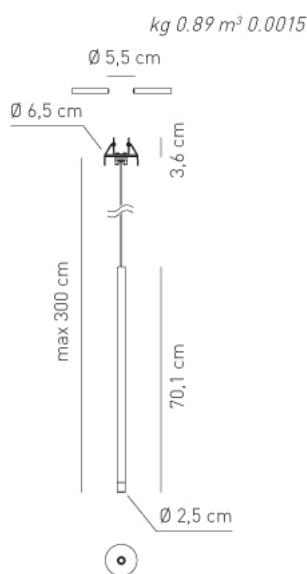
Ratings

- Built in **LED** module
- CCT 3000 K
- Downlight
- Ceiling cut-out installation
- Supply constant current 350mA
- Switch mode: on-off
- Extruded aluminium stick, painted
- Lens+diffuser

Product code composition

VIRTUS RECESSED / LED 4W / 350mA / DRIVER NOT INCLUDED

Zone	Type	Article	System compatibility	Finish	LED colour temperature	Beam options
E	2	101	4  recessed	07 matt white RAL 9016 wrinkled	1 3000 K	2  medium beam not adjustable
				10 anthracite grey wrinkled - final black polished nickel	available on request 4000 K	
				11 anthracite grey wrinkled - final polished gold		
				12 rust brown wrinkled final black polished nickel		
				13 rust brown wrinkled final polished gold		



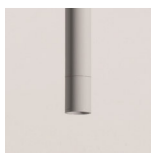
CE IP20 CRI90 with dedicated PSU **LED** ~295 lm 74 lm/W

foro - hole ∅ 5,5 cm / profondità min - min depth 10 cm - Collegare in serie. / Wire in series.

example composition code | E | 2 | 101 | 4 | 13 | 1 | 2

for optional accessories/drivers or dimming technology please refer to our pricelist or contact our representatives

Available colors



07
wrinkled white
RAL 9016



10
anthracite grey
wrinkled - final
black polished nickel



11
anthracite grey
wrinkled - final
polished gold



12
rust brown wrinkled
final black
polished nickel



13
rust brown wrinkled
final polished
gold

EELc (Energy Efficiency Label compatibility) contain built in LED lamps that cannot be changed: A, A+, A++

E21014 _ _ 12

CUSTOMER _____

NOTES _____

NOTICE:
Luminous flux (lm) and efficacy (lm/W) for all LED luminaires is based on nominal ratings of the LED sources.
Technical data could be subject to alteration without notice. Axo Light does not provide legal guarantee for the accuracy of this data sheet.