



SP URBA MI
Design by Dima Loginoff

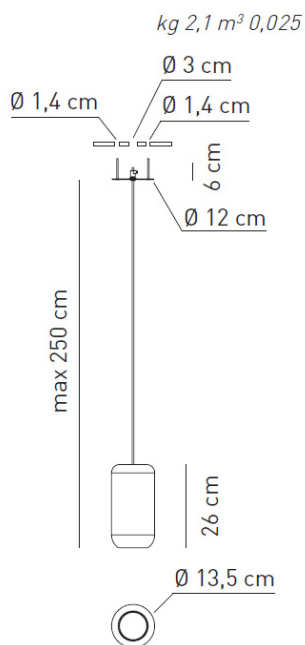
Collection consisting of aluminium ceiling lamps and suspended lamps.
Available in several colours and sizes.

Typology: RECESSED SUSPENSION LAMP

Ratings

- Built in line voltage **LED** module
- CCT 3000 K
- Downlight
- Ceiling cut-out installation
- Supply voltage ~220-240V
- Switch mode: on-off dimmable trailing edge
- Die cast aluminium body, painted
- Opalescent diffuser

Product code composition



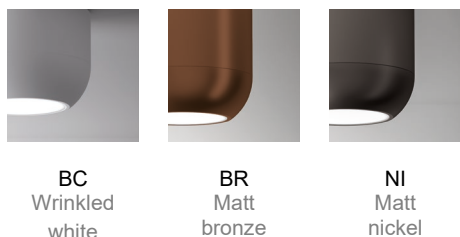
URBAN / solo con illuminazione verso il basso / *downward lighting only*

Type	Article	Colours	Finishing	Source
SP	URBA MI I	BC wrinkled white BR matt bronze NI matt nickel	XX	LED 15W - diffused beam 3000K*, 2700K, 4000K

CE IP20 CRI90 220-240VAC **LED** ~1350 lm* 90 lm/W*

foro - hole Ø 4,5 cm / profondità min - min depth 10 cm

Available colors



EELc (Energy Efficiency Label compatibility) contain built in LED lamps that cannot be changed: A, A+, A++

SPURBAMI _ _ XXLED

CUSTOMER _____ NOTES _____

Luminous flux (lm) and efficacy (lm/W) for all built in LED luminaires is based on nominal ratings of the LED sources.
Technical data could be subject to alteration without notice. Axo Light does not provide legal guarantee for the accuracy of this data sheet.