



**SPSK1002**  
Design by Manuel Vivian

Collection of ceiling, suspended and table lamps in flame-retardant TREVIRA®CS fabric (100% polyester Glow wire 960 °C), available in several sizes and colours. The fabric can also come in a double-layer version with an exterior black net fabric. A decorative inner lampshade (also printable with customized graphic) is available.

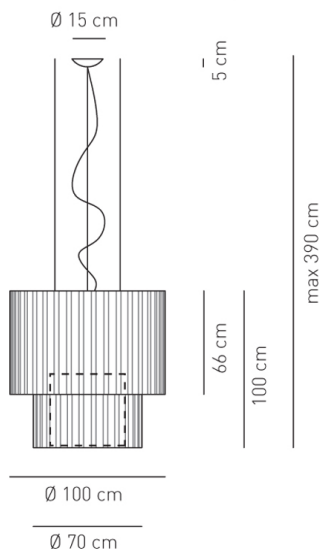
- Ratings
- E27
  - Downlight and uplight
  - Surface installation over holes
  - Supply voltage ~220-240V
  - Switch mode: on-off
  - Steel frame, painted
  - Cone in pongé fabric and light covering in jersey

Typology: SUSPENDED

kg 18 m<sup>3</sup> 1.06

Product code composition

**SKIRT** diffuser *INCLUDED*, with upward and downward lighting



Type	Article	Exterior Net	Fabric Colours	Source
SP	SK 100 2 E27	<b>NE</b> black net	<b>BC</b> white	<b>E27</b> 4x Max 20W LED or 4 x Max 33W fluo or 4 x Max 70W halo
		<b>XX</b> no black net	<b>AR</b> orange	
			<b>AZ</b> light blue	
			<b>BL</b> blue	
			<b>FU</b> fuchsia	
			<b>GR</b> light grey	
			<b>MA</b> brown	
			<b>RS</b> red	
			<b>VE</b> light green	

**SINGLE FABRIC**

Fireproof class I= C1, GB= CRIB 5, D=B1, F= M1, EN= 102/1-2, A 652 / Weight 340 ± 5% gr/m<sup>2</sup> / Abrasion resistance (Martindale): 40.000 ± 10% rubs / Pilling Grade 5 / Light fastness grade 6

**BLACK NET FINISH FABRIC**

Fireproof class I= C1, F= M1, D= B1 DIN 4102 / Weight 214 ± 5% gr/m<sup>2</sup> / Abrasion resistance (Martindale): 30.000 ± 10% rubs / Pilling Grade 5 / Light fastness grade 5

CE IP20 +LED

example composition code | SP | SK1002E27 | XX | GR |

For optional accessories please refer to our pricelist, website or contact our representatives

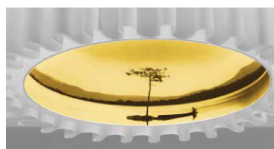
Available colors



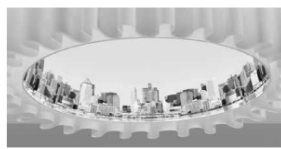
BC White    AR Orange    AZ Light blue    BL Blue    FU Fuchsia    GR Light grey    MA Brown    RS Red    VE Light green



Black net over a white fabric NEBC



Optional inner decorative Lampshade "Nature graphic"



Optional inner decorative Lampshade "Urban graphic"



Optional inner decorative Lampshade "Flowers graphic"

EELc (Energy Efficiency Label compatibility): E, D, C, B, A, A+

SPSK1002E27\_ \_ \_ \_ \_

CUSTOMER \_\_\_\_\_

NOTES \_\_\_\_\_

NOTICE:  
Luminous flux (lm) and efficacy (lm/W) for all LED luminaires is estimated based on nominal ratings of the LED sources.  
Technical data could be subject to alteration without notice. Axo Light does not provide legal guarantee for the accuracy of this data sheet.