



**SPFRAMEP**  
Design by Manuel Vivian

Collection consisting of ceiling or wall lamps and suspended lamps in white aluminium. and floor lamps. Available in several sizes. The ceiling/wall lamps are also supplied in three different heights.

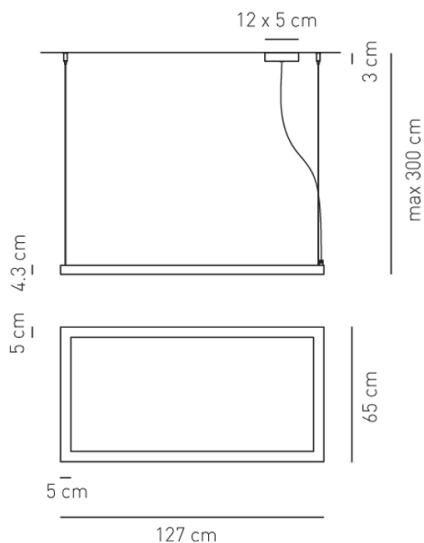
Typology: WALL, CEILING

Ratings

- Built in **LED** module
- CCT 3000 K
- Uplight
- Surface installation over holes
- Supply voltage ~220-240V
- Switch mode: on-off
- Dimmable DALI LED driver
- Extruded aluminium profile, painted
- Linear prismatic diffuser

Product code composition

kg 5.6 m<sup>3</sup> 0.22



**FRAMEWORK / DRIVER INCLUDED / con illuminazione verso l'alto / with upward lighting**

Type	Article	Colours	Code End	Source
SP	FRAME P LED	BC white	XX	LED 70W - diffused beam <b>3000K*, 4000K</b>

Gli articoli in rosso sono disponibili solo fino ad esaurimento scorte. *Articles in red are available until sold out*

IP20 CRI80 **LED** ~9920 lm\* 142 lm/W\* 110-240V<sub>AC</sub>  
 example composition code SP FRAMEPLED BC XX

Available colors



**BC**  
Wrinkled  
white  
aluminium

EELc (Energy Efficiency Label compatibility) contain built in LED lamps that cannot be changed: A, A+, A++

CUSTOMER \_\_\_\_\_ NOTES \_\_\_\_\_

SPFRAMEPLEDBCXX \_\_\_\_\_

NOTICE:

Luminous flux (lm) and efficacy (lm/W) for all LED luminaires is based on nominal ratings of the LED sources. Technical data could be subject to alteration without notice. Axo Light does not provide legal guarantee for the accuracy of this data sheet.