



SPFRAMEP
Design by Manuel Vivian

Collection consisting of ceiling or wall lamps and suspended lamps in white aluminium. and floor lamps. Available in several sizes. The ceiling/wall lamps are also supplied in three different heights.

Typology: SUSPENSION

Ratings

- Built in **LED** module
- CCT 3000 K
- Uplight
- Surface installation over holes
- Supply voltage ~220-240V
- Switch mode: on-off
- Dimmable DALI LED driver
- Extruded aluminium profile, painted
- Linear prismatic diffuser

Product code composition

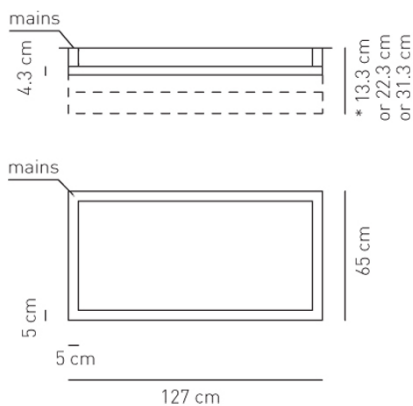
FRAMEWORK / DRIVER INCLUDED / applicazione a soffitto o a parete / application: both as ceiling or wall lamp

PL FW P 090 kg 6.1 m³ 0.20
 PL FW P 180 kg 6.2 m³ 0.20
 PL FW P 270 kg 6.3 m³ 0.20

| Type | Article | Colours | Code End | Source |
|------|---------------------|----------|----------|--|
| PL | FW P 090 LED | BC white | XX | LED 70W - diffused beam 3000K*, 4000K |
| | FW P 180 LED | | | |
| | FW P 270 LED | | | |

Gli articoli in rosso sono disponibili solo fino ad esaurimento scorte. Articles in red are available until sold out.

~9920 lm* 142 lm/W* 110-240VAc
 example composition code PL FWP180LED BC XX



Available colors



BC
Wrinkled
white
aluminium

EELc (Energy Efficiency Label compatibility) contain built in LED lamps that cannot be changed: A, A+, A++

CUSTOMER _____ NOTES _____

PLFWPLED _ _ _ BCXX

NOTICE:
 Luminous flux (lm) and efficacy (lm/W) for all LED luminaires is based on nominal ratings of the LED sources.
 Technical data could be subject to alteration without notice. Axo Light does not provide legal guarantee for the accuracy of this data sheet.