



PLFWG090
PLFWG180
PLFWG270
 Design by Manuel Vivian

Collection consisting of ceiling or wall lamps and suspended lamps in white aluminium. and floor lamps. Available in several sizes. The ceiling/wall lamps are also supplied in three different heights.

Typology: WALL, CEILING

Ratings

- Built in **LED** module
- CCT 3000 K
- Uplight
- Surface installation over holes
- Supply voltage ~220-240V
- Switch mode: on-off
- Dimmable DALI LED driver
- Extruded aluminium profile, painted
- Linear prismatic diffuser

Product code composition

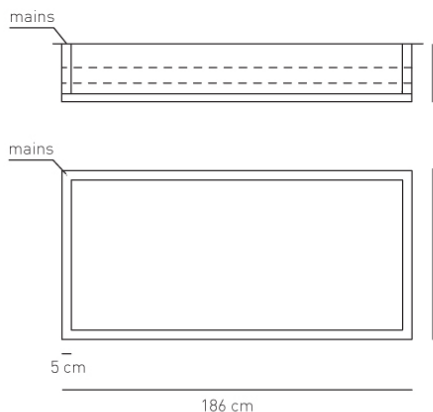
FRAMEWORK / DRIVER INCLUDED / applicazione a soffitto o a parete / application: both as ceiling or wall lamp

PL FW G 090 kg 8,8 m³ 0.38
 PL FW G 180 kg 8,9 m³ 0.38
 PL FW G 270 kg 9 m³ 0.38

Type	Article	Colours	Code End	Source
PL	FW G 090 LED	BC white	XX	LED 105W - diffused beam 3000K*, 4000K
	FW G 180 LED			
	FW G 270 LED			

Gli articoli in rosso sono disponibili solo fino ad esaurimento scorte. Articles in red are available until sold out

LED ~14880 lm* 142 lm/W* 110~240V_{AC}
 example composition code PL FWG270LED BC XX



Available colors



BC
 Wrinkled
 white
 aluminium

EELc (Energy Efficiency Label compatibility) contain built in LED lamps that cannot be changed: A, A+, A++

CUSTOMER _____ NOTES _____

PLFWGLED _ _ _ BCXX

NOTICE:
 Luminous flux (lm) and efficacy (lm/W) for all LED luminaires is based on nominal ratings of the LED sources.
 Technical data could be subject to alteration without notice. Axo Light does not provide legal guarantee for the accuracy of this data sheet.