

Products /  NORLIGHT / BUBBLE / BUBBLE 3000 SUSPENDED PARALLEL CABLES WITHOUT JOINT / DD15SW604AE

BUBBLE DD15SW604AE

TECHNICAL DATA

GENERAL



Item code	DD15SW604AE
Place installation	indoor
Name	BUBBLE 3000 SUSPENDED PARALLEL CABLES WITHOUT JOINT / DD15SW604AE suspension
Standard colour	AE - white RAL 9003
Variante colour	CH - semi-bright aluminium RAL 9006
Environments	hallway, conference hall, art and culture, leisure areas, retail areas, places of worship
Designer	ALFONSO FEMIA /AF*design



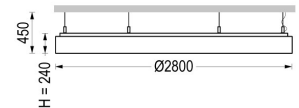
PHYSICAL

Installation type	suspension
Mounting type	surface
Body	Round metal frame, seats for the electrical components and anchor points for the suspension device and diffusers.
Glow wire resistance	850°C



DIMENSIONS

H: Total height device (mm)	240
D: Total diameter device (mm)	2800
Weight (kg)	57

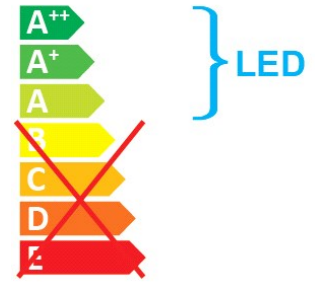


OPTICAL SYSTEMS

Emission	diffuse
Optical System	Smooth opal polycarbonate diffuser, injection moulded, shock-resistant, anti-ageing.

ENERGY SAVING

This luminaire contains built-in LED lamps
The lamps cannot be changed in the luminaire



SOURCES

Source Type	Source Power	System Power	Source	Lamp Socket	Sources Temperature Colour	Nominal Flux	Output Flux	Source description
LED	-	600W	24 LED engine	-	2700K-6500K	-	33900 lm	-

ELECTRICAL

Ballast type	Electronic with dimmer DALI
Mounting ballast type	Integral
Voltage	220-240V
Frequency	50-60Hz
Wiring	Electrical harness wired for 220-240V-AC 50-60Hz power supply. 2.5mm ² LTN terminal block. DALI dimmable electronic ballast.

NORMS / DIRECTIVES

Norms	EN 60598-1, EN 60598-2-1
Directives	2014/35/UE, 2014/30/UE

ACCESSORIES

INCLUDED ACCESSORIES

Electrical

Power cable L=2000mm

LED sources 2700K - 6500K

Mounting

Ceiling rose in Ø220mm (monolithic ceilings and modular false ceilings)

Suspension kit complete with 8 steel cables L=2000mm and small ceiling roses

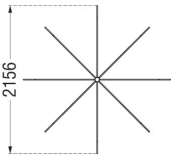
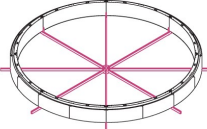
Transparent ceiling rose with terminal device

OPTIONAL ACCESSORIES

Electrical

Accessory code	MEC6134
Technical description	Dimming DALI Kit (Wireless receivers unit + portable hand transmitter).
Accessory code	MEC6135
Technical description	Dimming DALI Kit (Wireless receivers unit + portable table/wall transmitter with integrated light sensor).
Accessory code	MEC6161
Technical description	Dimming DALI Kit (Remote Controller via push-button for multi luminaires installation).

Mounting

Accessory code	150A031VE	
Technical description	BUBBLE 3000 - Umbrella like gauge for assembly and support.	
Accessory code	MEC6142	
Technical description	BUBBLE 1800/3000 - Replacement suspension kit L=25000mm for great heights (4 steel cable + 5 poles power supply cable).	