


Products /  NORLIGHT / BUBBLE / BUBBLE 3000 SUSPENDED WITH JOINT / DD15SW601AE

BUBBLE DD15SW601AE

TECHNICAL DATA

GENERAL



Item code	DD15SW601AE
Place installation	indoor
Name	BUBBLE 3000 SUSPENDED WITH JOINT / DD15SW601AE suspension
Standard colour	AE - white RAL 9003
Variante colour	CH - semi-bright aluminium RAL 9006
Environments	hallway, conference hall, art and culture, leisure areas, retail areas, places of worship
Designer	ALFONSO FEMIA /AF*design



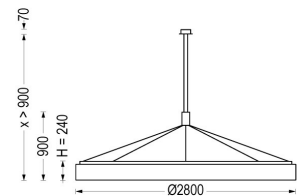
PHYSICAL

Installation type	suspension
Mounting type	surface
Body	Round metal frame, seats for the electrical components and anchor points for the suspension device and diffusers.
Glow wire resistance	850°C



DIMENSIONS

H: Total height device (mm)	240
D: Total diameter device (mm)	2800
Weight (kg)	61

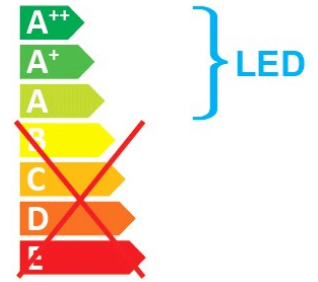


OPTICAL SYSTEMS

Emission	diffuse
Optical System	Smooth opal polycarbonate diffuser, injection moulded, shock-resistant, anti-ageing.

ENERGY SAVING

This luminaire contains built-in LED lamps
The lamps cannot be changed in the luminaire



SOURCES

Source Type	Source Power	System Power	Source	Lamp Socket	Sources Temperature Colour	Nominal Flux	Output Flux	Source description
LED	-	600W	24 LED engine	-	2700K-6500K	-	33900 lm	-

ELECTRICAL

Ballast type	Electronic with dimmer DALI
Mounting ballast type	Integral
Voltage	220-240V
Frequency	50-60Hz
Wiring	Electrical harness wired for 220-240V-AC 50-60Hz power supply. 2.5mm ² LTN terminal block. DALI dimmable electronic ballast.

NORMS / DIRECTIVES

Norms	EN 60598-1, EN 60598-2-1
Directives	2014/35/UE, 2014/30/UE

ACCESSORIES

INCLUDED ACCESSORIES

Electrical

Power cable with transparent sheath L=10000mm

Suspension kit complete with 8 cables connected to the central joint, 4 steel cables L=10000mm

LED sources 2700K - 6500K

Mounting

Cylindrical ceiling rose with terminal block (bearing ceilings)

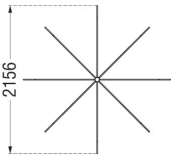
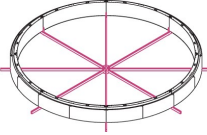
Ceiling rose in Ø220mm (monolithic ceilings and modular false ceilings)

OPTIONAL ACCESSORIES

Electrical

Accessory code	MEC6134
Technical description	Dimming DALI Kit (Wireless receivers unit + portable hand transmitter).
Accessory code	MEC6135
Technical description	Dimming DALI Kit (Wireless receivers unit + portable table/wall transmitter with integrated light sensor).
Accessory code	MEC6161
Technical description	Dimming DALI Kit (Remote Controller via push-button for multi luminaires installation).

Mounting

Accessory code	150A031VE	
Technical description	BUBBLE 3000 - Umbrella like gauge for assembly and support.	
Accessory code	MEC6142	
Technical description	BUBBLE 1800/3000 - Replacement suspension kit L=25000mm for great heights (4 steel cable + 5 poles power supply cable).	