


Products /  NORLIGHT / BUBBLE / BUBBLE 3000 SUSPENDED WITH JOINT / DD15SL601AE

## BUBBLE DD15SL601AE

### TECHNICAL DATA

#### GENERAL



Item code	DD15SL601AE
Place installation	indoor
Name	BUBBLE 3000 SUSPENDED WITH JOINT / DD15SL601AE suspension
Standard colour	AE - white RAL 9003
Variante colour	CH - semi-bright aluminium RAL 9006
Environments	hallway, conference hall, art and culture, leisure areas, retail areas, places of worship
Designer	ALFONSO FEMIA /AF*design



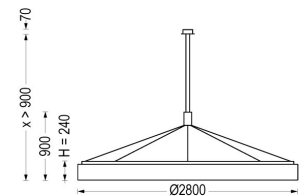
#### PHYSICAL

Installation type	suspension
Mounting type	surface
Body	Round metal frame, seats for the electrical components and anchor points for the suspension device and diffusers.
Glow wire resistance	850°C



#### DIMENSIONS

H: Total height device (mm)	240
D: Total diameter device (mm)	2800
Weight (kg)	61

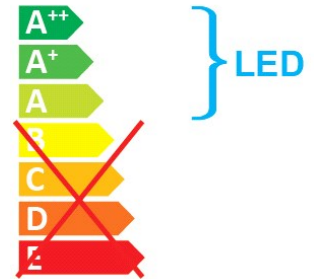


#### OPTICAL SYSTEMS

Emission	diffuse
Optical System	Smooth opal polycarbonate diffuser, injection moulded, shock-resistant, anti-ageing.

## ENERGY SAVING

This luminaire contains built-in LED lamps  
The lamps cannot be changed in the luminaire



## SOURCES

Source Type	Source Power	System Power	Source	Lamp Socket	Sources Temperature Colour	Nominal Flux	Output Flux	Source description
LED	-	600W	24 LED engine	-	3000K	-	31530 lm	-

## ELECTRICAL

Ballast type	Electronic with dimmer DALI
Mounting ballast type	Integral
Voltage	220-240V
Frequency	50-60Hz
Wiring	Electrical harness wired for 220-240V-AC 50-60Hz power supply. 2.5mm <sup>2</sup> LTN terminal block. DALI dimmable electronic ballast.

## NORMS / DIRECTIVES

Norms	EN 60598-1, EN 60598-2-1
Directives	2014/35/UE, 2014/30/UE

## ACCESSORIES

### INCLUDED ACCESSORIES

#### Electrical

Power cable with transparent sheath L=10000mm

Suspension kit complete with 8 cables connected to the central joint, 4 steel cables L=10000mm

LED sources 3000K

#### Mounting

Cylindrical ceiling rose with terminal block (bearing ceilings)

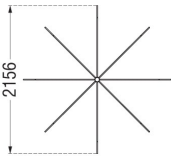
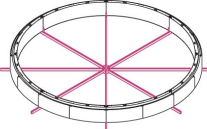
Ceiling rose in Ø220mm (monolithic ceilings and modular false ceilings)

## OPTIONAL ACCESSORIES

### Electrical

Accessory code	MEC6134
Technical description	Dimming DALI Kit (Wireless receivers unit + portable hand transmitter).
Accessory code	MEC6135
Technical description	Dimming DALI Kit (Wireless receivers unit + portable table/wall transmitter with integrated light sensor).
Accessory code	MEC6161
Technical description	Dimming DALI Kit (Remote Controller via push-button for multi luminaires installation).

### Mounting

Accessory code	150A031VE	
Technical description	BUBBLE 3000 - Umbrella like gauge for assembly and support.	
Accessory code	MEC6142	
Technical description	BUBBLE 1800/3000 - Replacement suspension kit L=25000mm for great heights (4 steel cable + 5 poles power supply cable).	