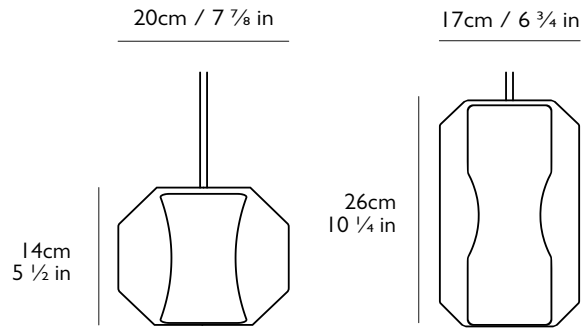


LEE BROOM

CHAMBER



PRODUCT DETAILS

Name

Chamber

| | | |
|---------------|----------|----------|
| Product Code | 110-130v | 220-240v |
| Chamber Small | CH0110 | CH0010 |
| Chamber Large | CH0120 | CH0020 |

Materials

Carrara marble, crystal, steel

Illumination 110-130v

4w, 2700k, 470 lumen

Bulb: E26, 4w LED, 200 lumen, 25k hrs (1x supplied)

Illumination 220-240v

6.2w, 2700k, 470 lumen

Bulb: E27, 6.2w LED, 470 lumen, 25k hrs (1x supplied)

Dimming

Dimmable. Mains voltage. TRIAC / Leading edge

Certification

UL, cUL (110-130v)

CE, CB (220-240v)



Year of Design

2014

Dimensions

Chamber Small: H 14cm x Dia 20cm / H 5 1/2 in x Dia 7 7/8 in

Chamber Large: H 26cm x Dia 17cm / H 10 1/4 in x Dia 6 3/4 in

Suspension

Length: 300cm / 118 1/8 in

Adjustable cord

Transparent casing

Ceiling Plate / Canopy

H 3cm x Dia 12cm / H 1 1/8 in x Dia 4 3/4 in

Round steel in satin white finish

Weight

Small: Product (net) 2.7kg / 5.95 lb / Boxed (gross) 2.9kg / 6.3 lb

Large: Product (net) 3.3kg / 7.2 lb / Boxed (gross) 4.1kg / 9 lb

0118rev05

For more information please contact:

US & Canada Inquiries: +1 212 804 8477 - 34 Greene Street, New York, NY 10013 - sales@leebroom.com

UK & Global Inquiries: +44 207 820 0742 - 95 Rivington Street, London, EC2A 3AY - info@leebroom.com

WWW.LEEBROOM.COM

