

DOME® BOW BRACKET by HEATSAIL

TECHNICAL INFORMATION



**RUSTPROOF &
WEATHERPROOF**



**LOW ENERGY USAGE
ZERO CO2 EMISSION**



**MINIMUM OF
MAINTENANCE**

DOME® BOW BRACKET by HEATSAIL

FEATURES



IP
43

CE



**RUSTPROOF &
WEATHERPROOF**

The DOME is made out of high quality material such as Aluminium and Stainless steel, making it suitable for outdoor use.



**LOW ENERGY USAGE
ZERO CO2 EMISSION**

With an energy consumption of only 3.22 kW/h, the DOME uses less energy than similar products delivering optimal heating.



**MINIMUM OF
MAINTENANCE**

By using high efficient and durable ceramic heating elements and the best materials, the DOME is virtually maintenance free.



**PATENTED
DESIGN**

The unique patented design makes the DOME an absolute eyecatcher, exuding luxury, elegance and exclusivity.



Headquarters

Prins Boudewijnlaan 7 Unit A 08
2550 Kontich
Belgium
+ 32 3 502 99 88

North American office

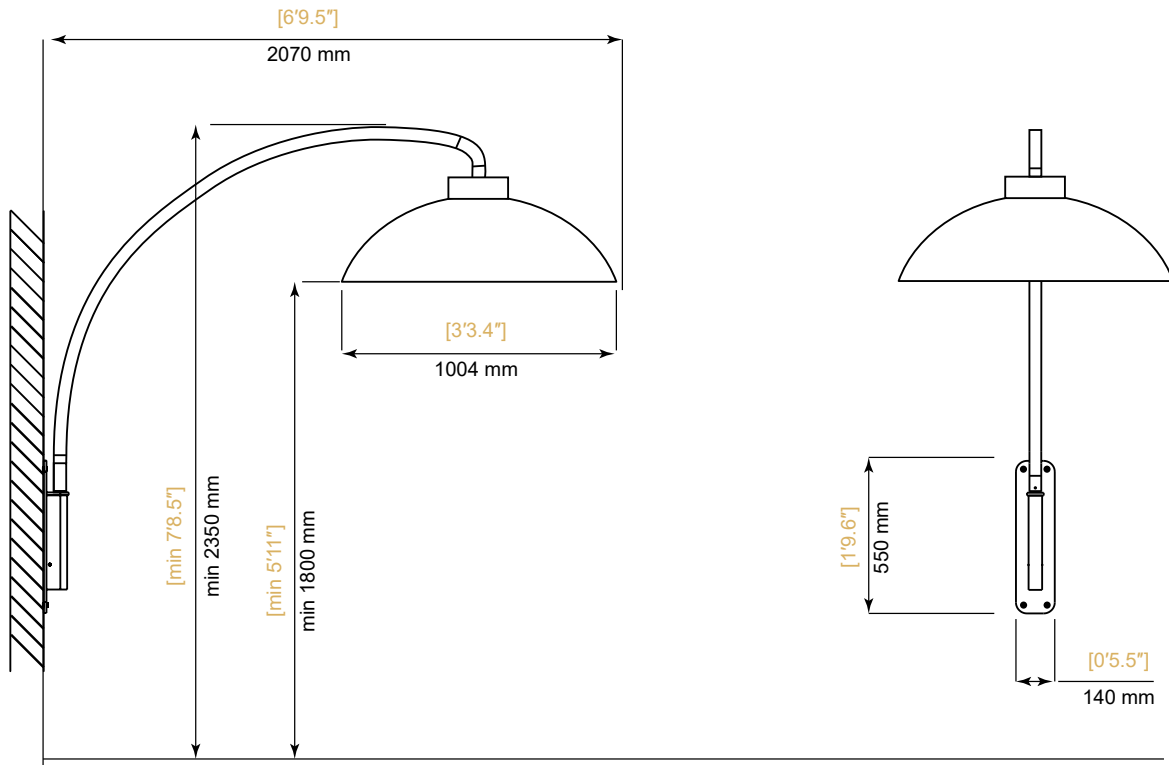
10440 N Central Expressway
Suite 800, Dallas, Texas 75231
United States
+ 1 (214) 808 5091

W: www.heatsail.com

E: sales@heatsail.com

DOME® BOW BRACKET by HEATSAIL

DIMENSIONS



SPECIFICATIONS

Model	DOME BOW BRACKET
Heat output (W)	3100 W
Light Output (W)	120 W
Electrical connection	230V AC - 50Hz 14 A
Dimensions (WxDxH)	270 x 1004 x 2350 mm - [6'9.5" x 3'3.4" x 7'8.5"]
Mounting height requirement to ground	min 1800 mm; max 1950 mm - [min 5'11"; max 6'4.8"]
Weight	approx. 25,5 kg and needs to be anchored - [56 lbs]
Approvals	CE, IEC 60335-2-30, CAN/CSA-C22.2 No. 60335-1:16, CAN/CSA-E60335-2-30:13, UL 60335-1



Headquarters
Prins Boudewijnlaan 7 Unit A 08
2550 Kontich
Belgium
+ 32 3 502 99 88

North American office
10440 N Central Expressway
Suite 800, Dallas, Texas 75231
United States
+ 1 (214) 808 5091

W: www.heatsail.com
E: sales@heatsail.com

DOME® BOW BRACKET by HEATSAIL

ELECTRICAL SAFETY REQUIREMENTS

The use of the DOME requires an electrical installation with reliable safety grounding.

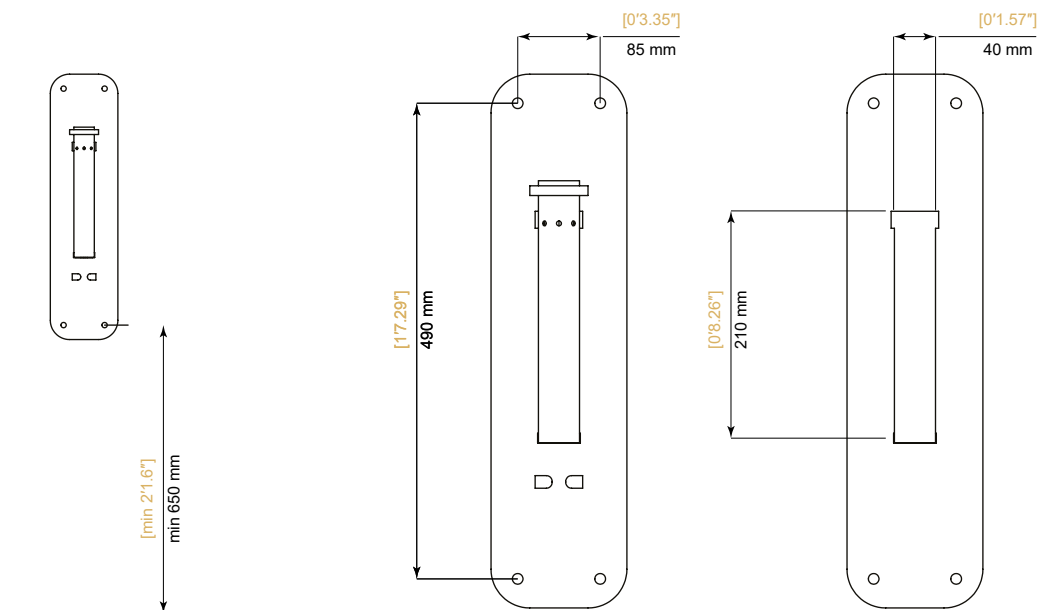
The installation's electrical safety can only be guaranteed if the device has been correctly connected to an grounding system built in accordance with the safety instructions. A preliminary inspection is absolutely essential. In the event of any uncertainty, a careful inspection must be made by a qualified and authorized technician. Heatsail will not be held responsible for injury and/or damage resulting from an ungrounded installation.

The installation of the DOME's electrical components requires a mains connection of 230V AC-50 Hz (14 amp fuse and appropriate RCD): the connection must be properly implemented in accordance with the applicable IEC-CEI standards. Please note: statutory and other regulation may apply locally.

A switch must be installed between the DOME and the fuse box at all times. Non-compliance with these instructions may compromise the safety of the device. Heatsail will not be held liable for any damage resulting from this.

CONSTRUCTING OVERVIEW

The DOME is mounted on a vertical surface by means of a stainless steel bracket. This bracket should be hung by using the correct plugs and screws according to the mounting surface.



Headquarters
Prins Boudewijnlaan 7 Unit A 08
2550 Kontich
Belgium
+ 32 3 502 99 88

North American office
10440 N Central Expressway
Suite 800, Dallas, Texas 75231
United States
+ 1 (214) 808 5091

W: www.heatsail.com
E: sales@heatsail.com

DOME® FS by HEATSAIL

ELECTRICAL OVERVIEW

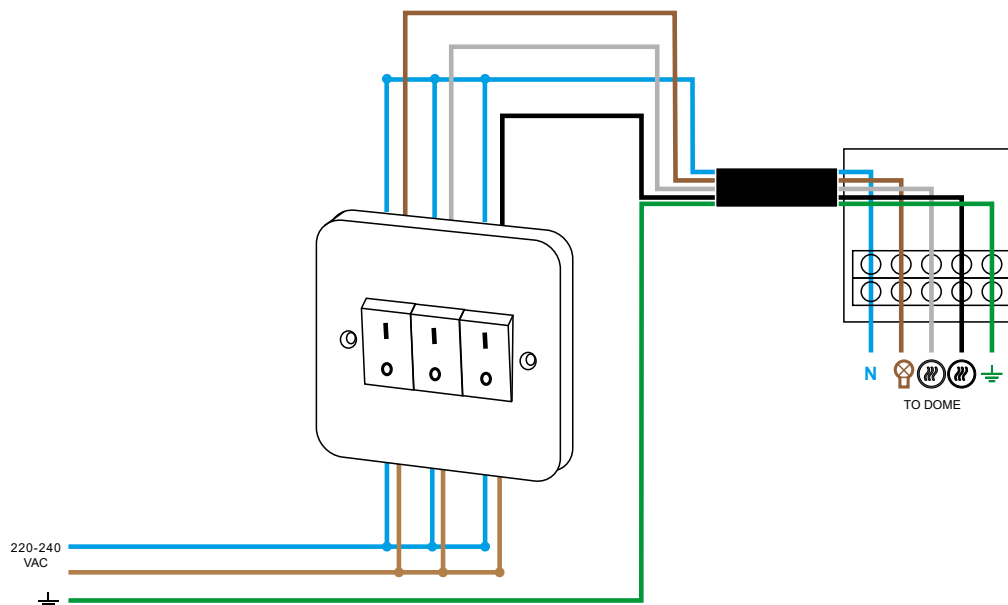
The DOME WALL BRACKET consists of a central heater element with a light and a hood, which serves as protection and reflection of the far infrared rays. The central element is called 'heattube'. On the lower part you will find a 'heater block' with 5 rectangular and 1 round heater element. Above the heater element there is a halogen light, separated from the heater element. The light consists of an R7S 78 mm halogen bulb, at 230V AC, behind a heat resistant glass. The glass can be lifted upwards to change the halogen bulb. A LED lamp couldn't be integrated as LED lights can not withstand these high temperatures.

There are three electrical circuits in the DOME. These circuits have a total of 14 Amps at 230V AC.

- Circuit 1: Heating circuit 1 consists of four rectangular heater elements and has a total heat output of 1500 W at 230V AC
- Circuit 2: Heating circuit 2 consists of the lower round heating element and two opposite rectangular heater elements and has a total power of 1600 W at 230V AC
- Circuit 3: Lighting circuit consists of a R7S bulb of 120 W at 230V AC

WALL SWITCHES

The incoming power is divided over the 3 circuits through 3 wall switches installed by a qualified electrician. The output lines of the wall switches will consist of 5 lines in a size not less than 1.5 mm² / 16 AWG according to the following indicative drawing:



Headquarters
Prins Boudewijnlaan 7 Unit A 08
2550 Kontich
Belgium
+ 32 3 502 99 88

North American office
10440 N Central Expressway
Suite 800, Dallas, Texas 75231
United States
+ 1 (214) 808 5091

W: www.heatsail.com
E: sales@heatsail.com