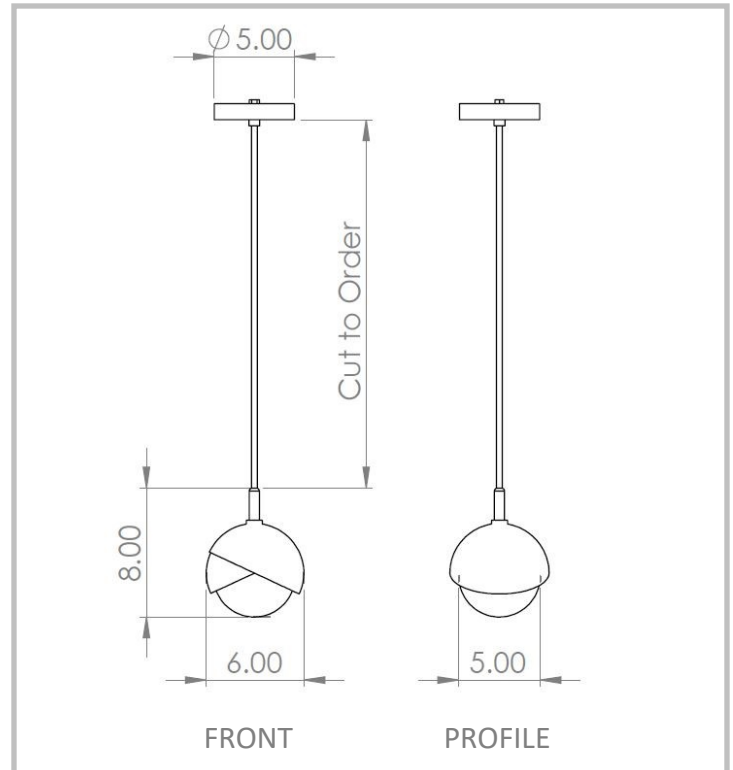


BENEDICT SERIES : PENDANT

The Benedict Pendant celebrates the defining detail of the Benedict Series. Two nested spun brass hemispheres cradle a hand blown glass globe. This fixture lends itself to creative configuration of our many finishes meaning it's sure to be a stunning accent in any space.



Shown in Prussian Blue w/ Polished Brass Accent



All Dimensions in Imperial US inches

SPECIFICATIONS Each Trella Studio product is handmade to order. Custom configurations are available on request.

MATERIAL Spun Brass / Hand blown Opal glass

FINISHES Satin Brass - Blonde Patina - Brown Patina - Antique -
Blackened Brass - Burnished Brass - Polished Nickel -
Satin Nickel - Prussian Blue Oxide - Polished Black Nickel -
Polished Chrome - Pewter - Colored Powder Coat -
Polished Brass Details

PRODUCED New York City

LEAD TIME 8 Weeks

DIMENSIONS Available in 6", 9", 11" & 13" diameter X [height cut to order]

LAMPING (1) up to 60W E-12 Candelabra Incandescent
(1) E-12 LED

CERTIFICATIONS UL and CE Certification available on request