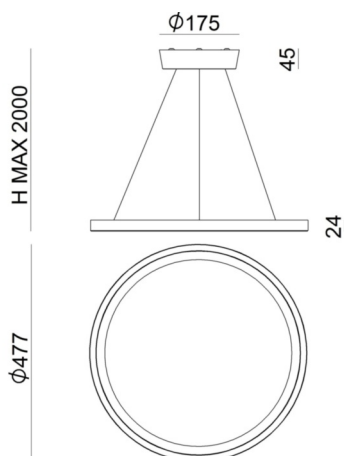




Pendant Luminaires | 220-240 V | topLED 30 W 1000 mA | CRI 90
8614



Technical data	
Installation position	Ceiling
Installation environment	Indoor
Light Source	LED
Optics	General Lighting
Light emission direction	downward and upward
Power	30 W
Luminous flux (source)	4042 lm
Frequency	60 - 50 Hz
CCT / Tonalità	3000 K
Colour rendering index	90 Ra
Safety class	1
IP	IP40
Glow wire test	850°
Direct mounting on normally flammable surfaces	Yes
CE	Yes
ETL	No
Driver included	Yes
Dimmable article	Phase cut
Induzione	No
Emergency mode	No
Motion sensor	No
Directional	No
Tilting	No
Walk-over	No
Drive-over	No
Cable included	No
Resin potting	No

Finishing casing	
Material	Iron
Processing	Electroplating

Finishing diffuser	
Material	PC
Colour	opaline

Finishing mounting frame	
Material	Iron
Colour	embossed white RAL 9003
Processing	Coating



Pendant Luminaires | 220-240 V | topLED 30 W 1000 mA | CRI 90
8614

Double emission pendant luminaires for indoor application. The warm white LED light source with a general lighting light distribution is composed of 70 topLED LEDs with CCT of 3000 K and a CRI 90; the source luminous flux is 4042 lm, with a 134.7 lm/W nominal luminous efficacy and an operating lifetime (L80) of 80000 hours.

The device body is made of iron, processed by means of electroplating; the diffuser is made of PC; the mounting frame is made of iron, with an embossed white ral 9003 finish, processed by means of coating. The ingress protection degree is IP40; The power supply driver is included in the delivery.

The total absorbed power is 30 W.

The device features protection class I and can be ceiling-mounted.

Illuminotechnical Features

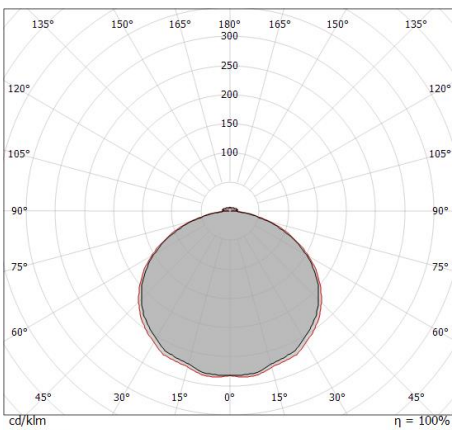
Light Output Ratio (LOR)	53 %
Luminous flux (source)	4042 lm
Luminaire luminous flux	2150 lm
Consumption	30 W
Luminaire efficacy	71 lm/W
Colour temperature	3000 K
Standard Deviation of Colour Matching	3 Step MacAdam
Colour rendering index	90 Ra
Life / Failure ratio	L80C0B20

UGR

X=4H Y=8H	S=0.25H
Reflection factor	70/50/20
UGR transversal	< 19
UGR axial	< 19

OPTICAL

Light distribution simmetry	Symmetrical
Optica C0/C180	124°

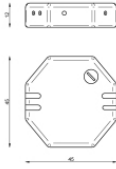


Distance [m]	Cone diameter [m]	illuminance [lx]
0.5	1.87 1.93	E(0°) 2426 E(C90) 127 E(C0) 120
1.0	3.75 3.86	E(0°) 606 E(C90) 32 E(C0) 30
1.5	5.62 5.79	E(0°) 270 E(C90) 14 E(C0) 13
2.0	7.49 7.72	E(0°) 152 E(C90) 8 E(C0) 8
2.5	9.36 9.65	E(0°) 97 E(C90) 5 E(C0) 5
3.0	11.24 11.58	E(0°) 67 E(C90) 4 E(C0) 3

— C0/C180 (Half-peak divergence: 125.2°)
 - - C90/C270 (Half-peak divergence: 123.8°)



Hinomaru_P | Pendant Luminaires | Accessories
8614



Dimmer
PUSH DIM, 220-240V

Code
KIT0026



Dimmer
Bluetooth, 85-240V

Code
KIT0080