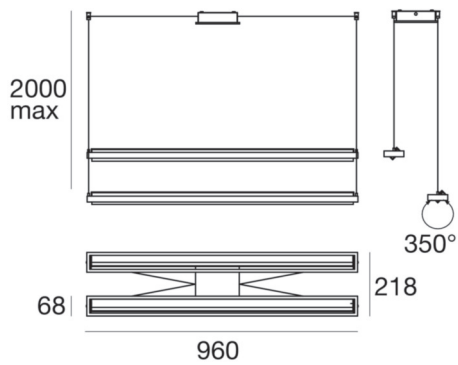




Pendant Luminaires | 220-240 V | topLED 41 W | CRI 90
8479



| Technical data | |
|--|------------------|
| Installation position | Ceiling |
| Installation environment | Indoor |
| Light Source | LED |
| Optics | General Lighting |
| Light emission direction | downward |
| Power | 41 W |
| Luminous flux (source) | 5195 lm |
| Frequency | 60 - 50 Hz |
| CCT / Tonalità | 3000 K |
| Colour rendering index | 90 Ra |
| AC / DC | AC |
| Safety class | 1 |
| IP | IP40 |
| Glow wire test | 850° |
| Direct mounting on normally flammable surfaces | Yes |
| CE | Yes |
| ETL | No |
| Driver included | Yes |
| Dimmable article | Phase cut |
| Induzione | No |
| Emergency mode | No |
| Motion sensor | No |
| Directional | Yes |
| Tilting | No |
| Walk-over | No |
| Drive-over | No |
| Cable included | No |
| Resin potting | No |

| Finishing casing | |
|------------------|----------------|
| Material | Aluminium |
| Colour | black RAL 9005 |
| Processing | Coating |

| Finishing diffuser | |
|--------------------|---------|
| Material | PC |
| Colour | opaline |



Pendant Luminaires | 220-240 V | topLED 41 W | CRI 90
8479

Single emission pendant luminaires for indoor application. The warm white LED light source with a general lighting light distribution is composed of 108 topLED LEDs with CCT of 3000 K and a CRI 90; the source luminous flux is 5195 lm, with a 126.7 lm/W nominal luminous efficacy and an operating lifetime (L80) of 80000 hours.

The device body is made of aluminium and features a black ral 9005 finish, processed by means of coating; the diffuser is made of PC. The ingress protection degree is IP40; The power supply driver is included in the delivery.

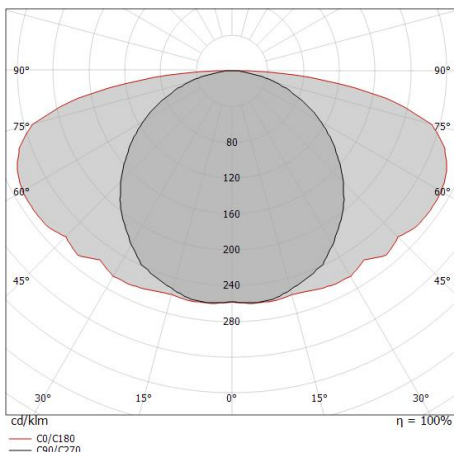
The total absorbed power is 41 W.

The device features protection class I and can be ceiling-mounted.

| Illuminotechnical Features | |
|---------------------------------------|----------------|
| Light Output Ratio (LOR) | 52 % |
| Luminous flux (source) | 5195 lm |
| Luminaire luminous flux | 2740 lm |
| Consumption | 41 W |
| Luminaire efficacy | 66 lm/W |
| Colour temperature | 3000 K |
| Standard Deviation of Colour Matching | 3 Step MacAdam |
| Colour rendering index | 90 Ra |
| Life / Failure ratio | L80C0B20 |

| UGR | |
|-------------------|----------|
| X=4H Y=8H | S=0.25H |
| Reflection factor | 70/50/20 |
| UGR transversal | < 22 |
| UGR axial | < 22 |

| OPTICAL | |
|-----------------------------|--------------|
| Light distribution simmetry | Asymmetrical |
| Ottica C0/C180 | 164° |
| Ottica C90/C270 | 113° |



| Distance [m] | Cone diameter [m] | E(0°) | E(C90) | E(C0) | Illuminance [lx] |
|--------------|-------------------|-------|--------------|------------|------------------|
| 0.5 | 1.51 7.30 | 2830 | 56.4° 242 | 82.2° 4 | |
| 1.0 | 3.01 14.60 | 708 | 56.4° 61 | 82.2° 1 | |
| 1.5 | 4.52 21.90 | 314 | 56.4° 27 | 82.2° 0 | |
| 2.0 | 6.02 29.20 | 177 | 56.4° 15 | 82.2° 0 | |
| 2.5 | 7.53 36.50 | 113 | 56.4° 10 | 82.2° 0 | |
| 3.0 | 9.03 43.80 | 79 | 56.4° 7 | 82.2° 0 | |

Distance [m] Cone diameter [m] Illuminance [lx]

— C0/C180 (Half-peak divergence: 164.4°)
— C90/C270 (Half-peak divergence: 112.8°)



Tablet_P2 | Pendant Luminaires | Accessories
8479



Dimmer
PUSH DIM, 220-240V

Code
KIT0026



Dimmer
Bluetooth, 85-240V

Code
KIT0080