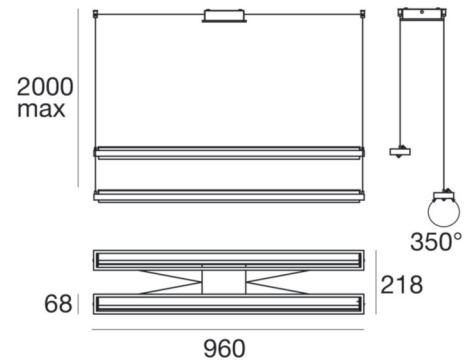
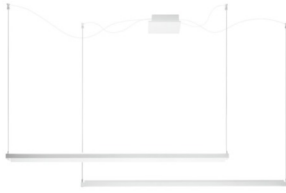


Tablet_P2



Pendant Luminaires | 220-240 V | topLED 41 W | CRI 90
8478



Technical data	
Installation position	Ceiling
Installation environment	Indoor
Light Source	LED
Optics	General Lighting
Light emission direction	downward
Power	41 W
Luminous flux (source)	5195 lm
Frequency	60 - 50 Hz
CCT / Tonaltà	3000 K
Colour rendering index	90 Ra
AC / DC	AC
Safety class	1
IP	IP20
Glow wire test	850°
Direct mounting on normally flammable surfaces	Yes
CE	Yes
ETL	No
Driver included	Yes
Dimmable article	Phase cut
Induzione	No
Emergency mode	No
Motion sensor	No
Directional	Yes
Tilting	No
Walk-over	No
Drive-over	No
Cable included	No
Resin potting	No

Finishing casing	
Material	Aluminium
Colour	embossed white RAL 9003
Processing	Coating

Finishing diffuser	
Material	PC
Colour	opaline



Pendant Luminaires | 220-240 V | topLED 41 W | CRI 90
8478

Single emission pendant luminaires for indoor application. The warm white LED light source with a general lighting light distribution is composed of 108 topLED LEDs with CCT of 3000 K and a CRI 90; the source luminous flux is 5195 lm, with a 126.7 lm/W nominal luminous efficacy and an operating lifetime (L80) of 80000 hours.

The device body is made of aluminium and features a embossed white ral 9003 finish, processed by means of coating; the diffuser is made of PC. The ingress protection degree is IP20; The power supply driver is included in the delivery.

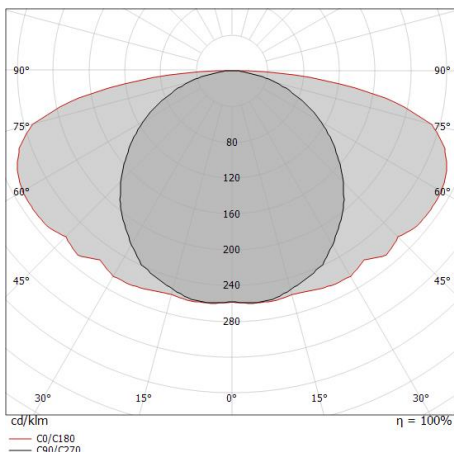
The total absorbed power is 41 W.

The device features protection class I and can be ceiling-mounted.

Illuminotechnical Features	
Light Output Ratio (LOR)	52 %
Luminous flux (source)	5195 lm
Luminaire luminous flux	2740 lm
Consumption	41 W
Luminaire efficacy	66 lm/W
Colour temperature	3000 K
Standard Deviation of Colour Matching	3 Step MacAdam
Colour rendering index	90 Ra
Life / Failure ratio	L80C0B20

UGR	
X=4H Y=8H	S=0.25H
Reflection factor	70/50/20
UGR transversal	< 22
UGR axial	< 22

OPTICAL	
Light distribution simmetry	Asymmetrical
Optica C0/C180	164°
Optica C90/C270	113°



Distance [m]	Cone diameter [m]	illuminance [lx]
0.5	1.51 7.30	E(0°) 2830 E(C90) 242 E(C0) 4
1.0	3.01 14.60	E(0°) 708 E(C90) 61 E(C0) 1
1.5	4.52 21.90	E(0°) 314 E(C90) 27 E(C0) 0
2.0	6.02 29.20	E(0°) 177 E(C90) 15 E(C0) 0
2.5	7.53 36.50	E(0°) 113 E(C90) 10 E(C0) 0
3.0	9.03 43.80	E(0°) 79 E(C90) 7 E(C0) 0

— C0/C180 (Half-peak divergence: 164.4°)
— C90/C270 (Half-peak divergence: 112.8°)



Dimmer
PUSH DIM, 220-240V

Code
KIT0026



Dimmer
Bluetooth, 85-240V

Code
KIT0080