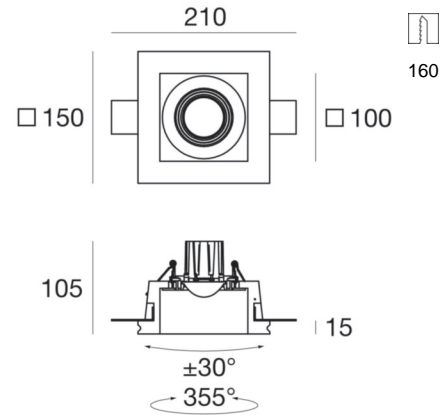
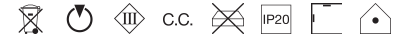


Gypsum_QC4



Downlights | arrayLED 7.5 W 200 mA | CRI 80
60595W70



Technical data	
Installation position	Wall lights - Ceiling
Installation environment	Indoor
Light Source	LED
Optics	Flood
Power	7.5 W
Luminous flux (source)	1117 lm
Current intensity	200mA
CCT / Tonaltà	3000 K
Colour rendering index	80 Ra
C.C. / C.V.	CC
Safety class	3
IP	IP20
Glow wire test	850°
Direct mounting on normally flammable surfaces	Yes
CE	Yes
ETL	No
Fire Rated (BS 476 PT21 compliant)	No
Operating temperature	-30°C / +85°C
Driver included	No
Induction	No
Emergency mode	No
Motion sensor	No
Directional	Orientabile
Tilting	No
Walk-over	No
Drive-over	No
Cable included	No
Resin potting	No
Type of light emission	Single emission
Net weight	1.102 Kg

Finishing casing

Material	plaster
Colour	white

Finishing diffuser

Material	Glass
Processing	Sandblasting

Electronics



62423
On/Off Driver 176-264V AC



Downlights | arrayLED 7.5 W 200 mA | CRI 80
60595W70

Single emission downlights for indoor application. The warm white LED light source with a flood light distribution is composed of 1 arrayed LEDs with CCT of 3000 K and a CRI 80; the source luminous flux is 1117 lm, with a 148.9 lm/W nominal luminous efficacy and an operating lifetime (L80) of 80000 hours.

The device body is made of plaster and features a white finish; the diffuser is made of glass with a sandblasting treatment. The ingress protection degree is IP20; the total weight is of 1.102 kg. The power supply driver is not provided and is to be ordered separately.

The total absorbed power is 7.5 W.

The device features protection class III and can be wall lights or ceiling-mounted, with a 160 x 160 mm hole (in plasterboard).

Illuminotechnical Features

Light Output Ratio (LOR)	40 %
Luminous flux (source)	1117 lm
Luminaire luminous flux	457 lm
Consumption	7.5 W
Luminaire efficacy	62 lm/W
Colour temperature	3000 K
Standard Deviation of Colour Matching	3 Step MacAdam
Colour rendering index	80 Ra

Life / Failure Ratio

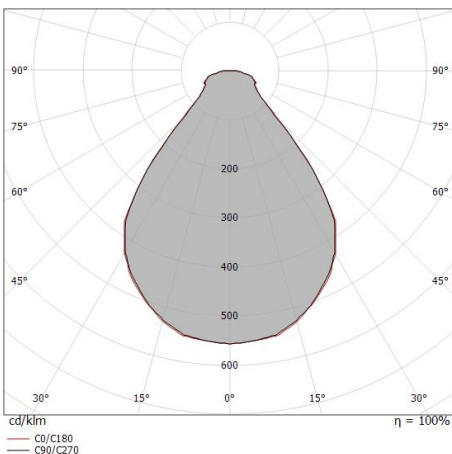
L80 B20 C0 80h

UGR

X=4H Y=8H	S=0.25H
Reflection factor	70/50/20
UGR transversal	< 22
UGR axial	< 22

OPTICAL

Light distribution simmetry	Symmetrical
Optica C0/C180	78°



Distance [m]	Cone diameter [m]	Illuminance [lx]
0.5	0.82	E(0°) 1018 E(C90) 238 E(C0) 237
1.0	1.63	E(0°) 254 E(C90) 59 E(C0) 59
1.5	2.45	E(0°) 113 E(C90) 26 E(C0) 26
2.0	3.26	E(0°) 64 E(C90) 15 E(C0) 15
2.5	4.08	E(0°) 41 E(C90) 10 E(C0) 9
3.0	4.89	E(0°) 28 E(C90) 7 E(C0) 7

Distance [m] Cone diameter [m] Illuminance [lx]

— C0/C180 (Half-peak divergence: 78.6°)
 — C90/C270 (Half-peak divergence: 78.4°)



Gypsum_QC4 | Downlights | Accessories
60595W70



Thick - KIT thicknesses for installation on plasterboard

Code

60830