



---

## **BuzziPleat LED**

**220-240V**

### **Product Specification Sheet**

---

This document contains technical information about the BuzziPleat LED Globe



[www.buzzi.space](http://www.buzzi.space)


## Sculptural pendant enfolds silence and light


BuzziPleat, a dynamic series of acoustic solutions by 13&9, delivers sound control with architectural edge. Traditional fashion design techniques, like smocking and pleating, are reinterpreted with sound-absorbing BuzziFelt to create large architectural folds, which maximize surface to deliver exceptional acoustic performance. The large-scale, yet lightweight sculptural forms can be suspended from the ceiling or applied as wallhanging. The suspended BuzziPleat LED configuration marries sound control and illumination. It is equipped with BuzziSol, a powerful LED light source. The dimmable warm light gives BuzziPleat an even greater sense of depth.


Design by 13&9 Design

## General

 Edel | Ripple

 BuzziFelt shade  
LED light source

Wattage 19W  
Input voltage 220-240V  
 Input freq. 50/60 Hz  
Lumen Output: 1500 lumen  
Color Temperature: 3000K  
Dimmable: 1-10V Protocol

 IP20 Dry usage

---

## Certifications

LED Light source CE/CB certified

---

## Acoustics



Absorption



Diffusion



Mid tone



High tone

---

## Content

Configurations	3	Dimensions	6
Fabrics	4	Acoustics	8
Technical Components	5		

# Configurations

---

## BuzziPleat LED Globe Ripple

◆ M, L

BuzziFelt shade with OffWhite or Black lace  
LED Light source with powder coated metal heatsink and ceiling canopy in black (RAL 9005)  
Frosted glass globe and black fabric power cable



LED light source: H 20 cm Ø 15 cm  
Ceiling canopy: W 14 cm L 28 cm H 4 cm  
Shade: M Ø 100 cm H 13 cm  
L Ø 150 cm H 19,5 cm



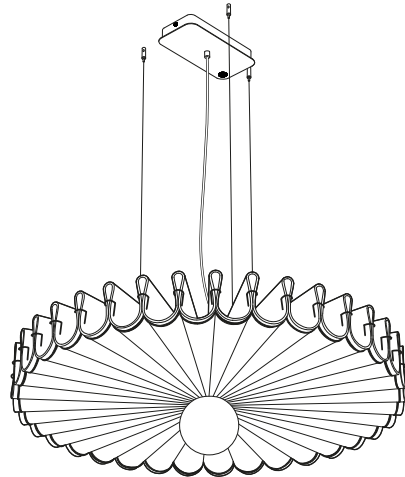
M: 6,7 kg  
L: 12,4 kg



Lace: OffWhite or Black  
Black or alu cables 2 - 5 m | 78.74" - 196.85"



If installing on suspended ceiling, verify load capacity prior to installation.



---

## BuzziPleat LED Globe Edel

◆ M, L

BuzziFelt shade with offWhite or black lace  
LED Light source with powder coated metal heatsink and ceiling canopy in black (RAL 9005)  
Frosted glass globe and Black fabric power cable



Light element: H 20 cm Ø 15 cm  
Ceiling canopy: W 14 cm L 28 cm H 4 cm  
Shade: M Ø 100 cm H 13 cm  
L Ø 150 cm H 19,5 cm



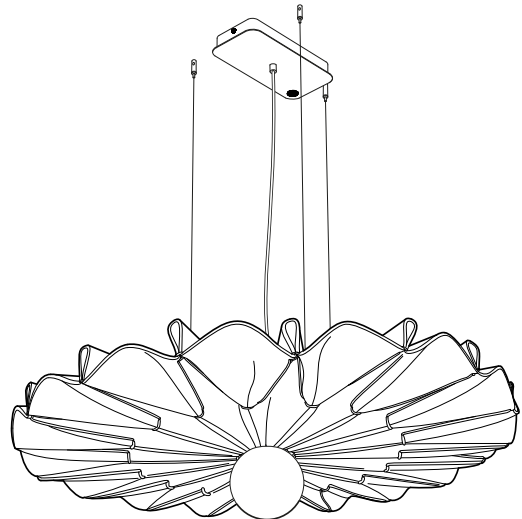
M: 5,7 kg  
L: 10,4 kg



Lace: offwhite or black  
Black or alu cables 2 - 5 m | 78.74" - 196.85"



If installing on suspended ceiling, verify load capacity prior to installation.



# Fabrics

---

## Felt

**Composition** 100% Recycled P.E.T. Felt, latex backing

**Weight** 1.000 g/m2 | 29.49 oz/yd2

**Abrasion resistance** >7.000 Martindale

**Flammability** EU: EN 13501.1 + A1/2009 Class B-s1,d0

USA: ASTM E84 Class A certified

**Fastness to light** USA 5



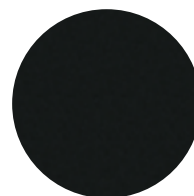
FE-OffWhite 63



FE-StoneGrey 67



FE-Lime 64



FE-Anthracite 68

# Technical components

---

## BuzziPleat LED Globe

### Ceiling canopy

Powder coated metal canopy in black (RAL 9005)  
Including mounting bracket

W 14 cm L 28 cm H 4 cm



### LED light source

The LED light source consists of a black powder coated metal heatsink fitted with a C.O.B. LED source, finished with a frosted glass globe. The distance between the light element and the acoustic shade can be adjusted.



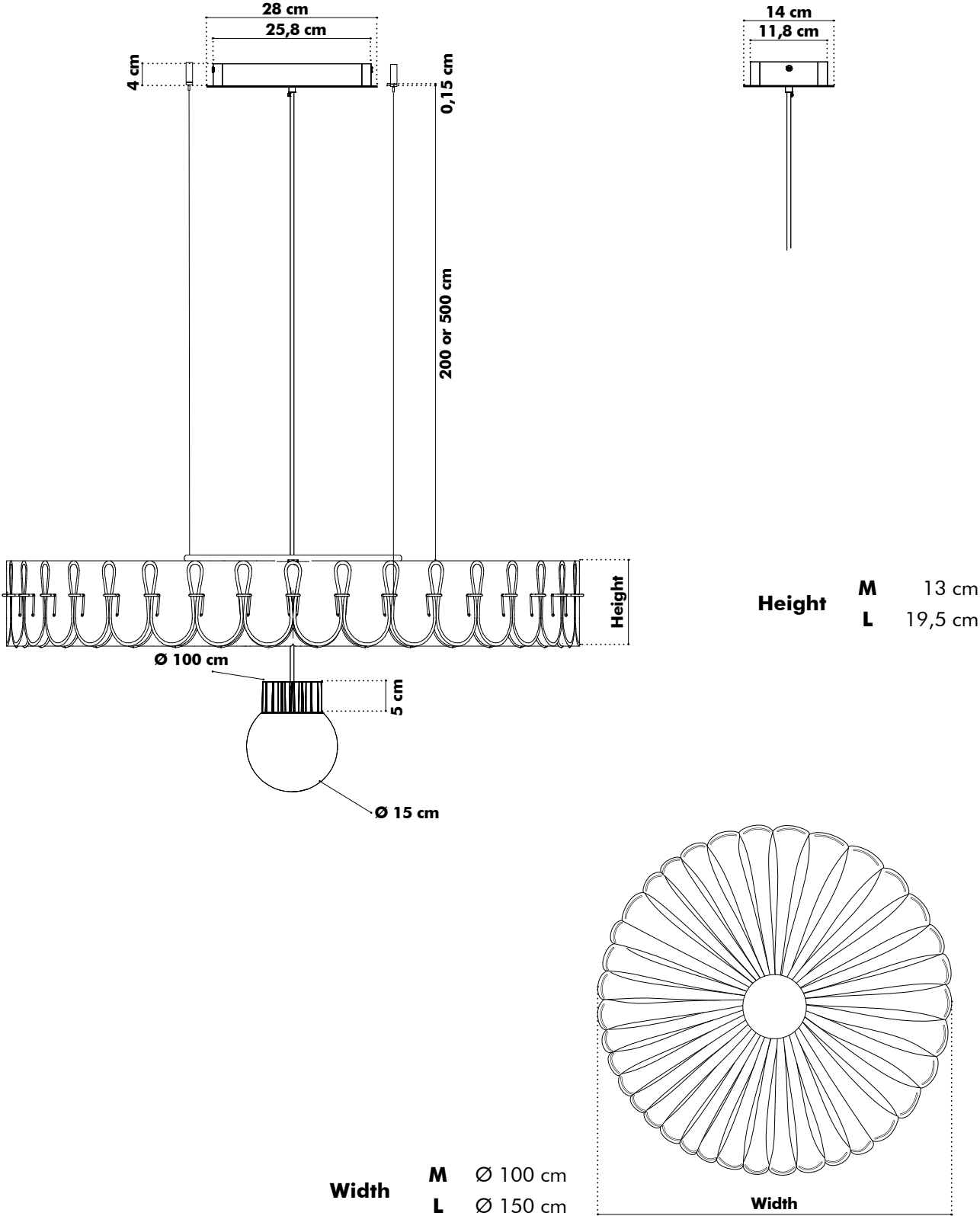
### Felt shade

The lightweight sculptural shade is created by pleating or smocking sound absorbing BuzziFelt. The architectural folds maximize surface area, delivering exceptional acoustic performance.

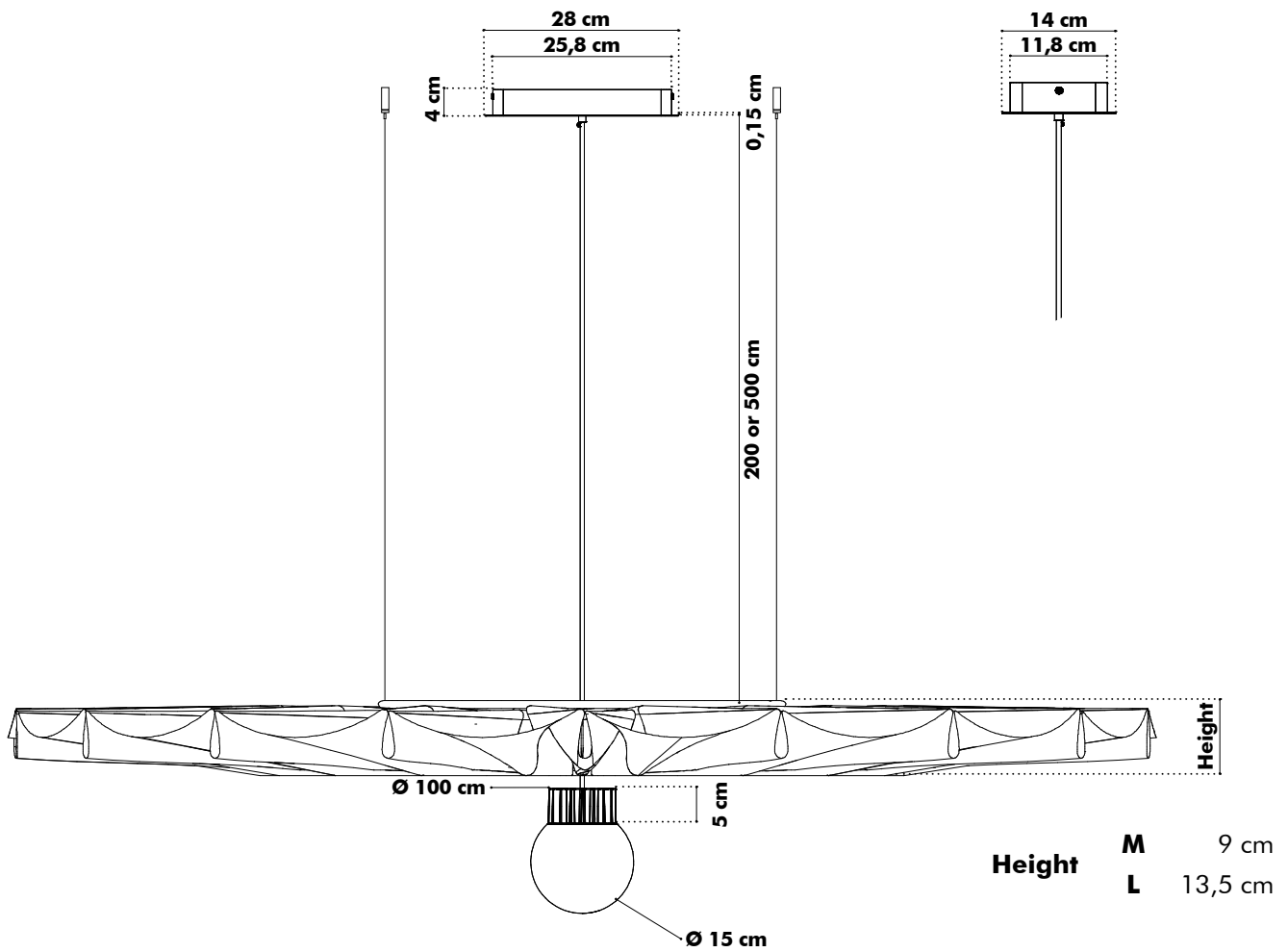


# Dimensions

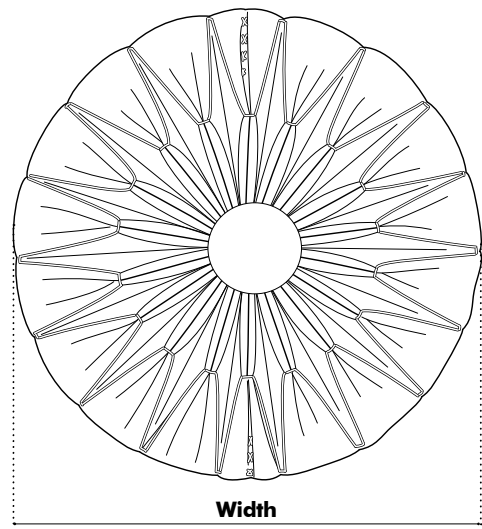
## BuzziPleat LED Ripple



# BuzziPleat LED Edel



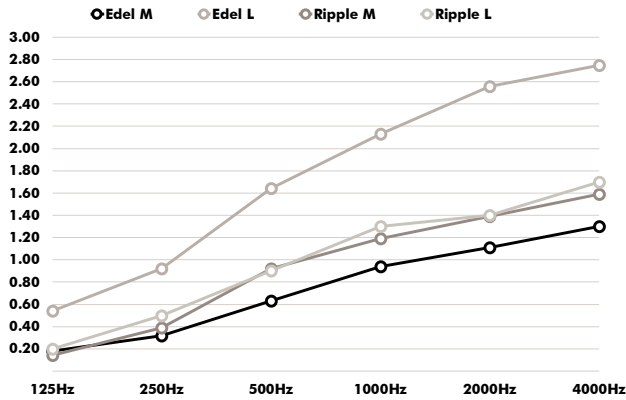
<b>Width</b>	<b>M</b>	Ø 100 cm
	<b>L</b>	Ø 150 cm



# Acoustics

## BuzziPleat Ceiling

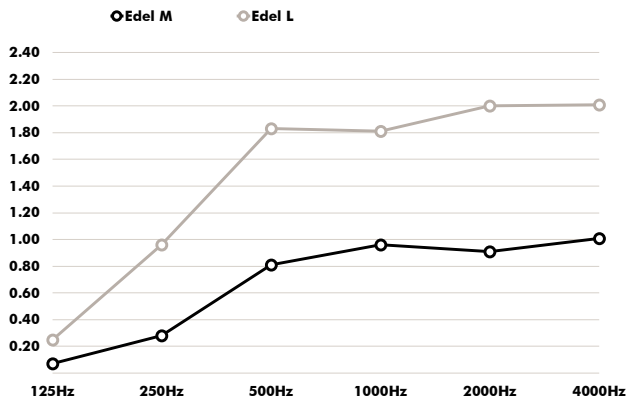
Equivalent sound absorption area in m<sup>2</sup> per object



Hz	Edel M Aeq/m <sup>2</sup>	Edel L Aeq/m <sup>2</sup>	Ripple M Aeq/m <sup>2</sup>	Ripple L Aeq/m <sup>2</sup>
125	0.18	0.54	0.14	0.20
250	0.32	0.92	0.39	0.50
500	0.63	1.64	0.92	0.90
1000	0.94	2.13	1.19	1.30
2000	1.11	2.56	1.39	1.40
4000	1.30	2.75	1.59	1.70

## BuzziPleat Wall

Equivalent sound absorption area in m<sup>2</sup> per object



Hz	Edel M Aeq/m <sup>2</sup>	Edel L Aeq/m <sup>2</sup>
125	0.07	0.25
250	0.28	0.96
500	0.81	1.83
1000	0.96	1.81
2000	0.91	2.00
4000	1.01	2.01