

IL FANALE

rev. 25-07-2016



RILEGATO - 476.00.62

The lamps are modern and suitable for any international context. These unique and exclusive products are entirely handmade with beveled glass and international brass bases and are available in chrome, gold, and burnished finishes.

CHARACTERISTICS

TYPOLOGY	Suspension
CATEGORY	Indoor lamps

FINISHES

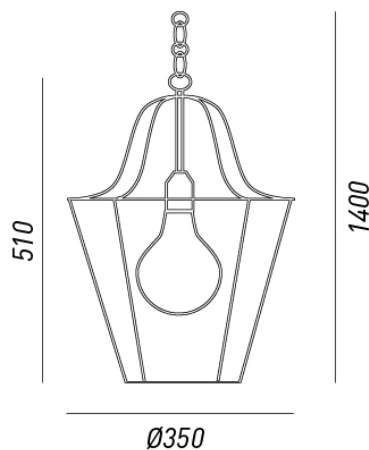
FRAME	Chrome Brass
SHADE	Chrome Brass
BASE	Chrome Brass
OPTICS	Transparent Glass

ELETRICAL CHARACTERISTICS

SOCKET	E27
POWER	1 \bar{A} — Max 77W
ENERGY CLASS	
INPUT	240V
POWER SUPPLY	No

CUSTOMIZATIONS

COLOUR	Yes
STRUCTURE	Yes



Il Fanale Group

Via Bredariol Olivo 15, San Biagio Di Callalta - Treviso - Italy

Telefono +39 0422 895200 - fax +39 0422 895110 - www.ilfanale.com - info@ilfanale.com