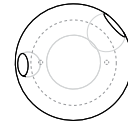


±165 (6.5')



115 (4.5')

- PENDANTS: one
- MOUNTING: metal mounting plate 115mm (4.5') in diameter
- LAMPING: 1.5w LED or 20w xenon
- INSTALLATION: threaded on - wall or ceiling mount
- MATERIALS: blown glass, electrical components, metal mounting plate
- WEIGHT: approximately 1kg (2lb)
- TRANSFORMERS: remote mounted. Transformers included
- TRANSFORMERS: integral (transformer housed within junction box). Transformers included

DESCRIPTION

The 'sp' designation in this variation on the 28 refers to it being surface-mounted. This surface light has a paintable 115mm (4.5') in diameter mounting plate designed to be mounted on walls as well as ceilings.

28 is an exploration of specificity in manufacturing. Instead of designing form itself, here the intent was to design a system of making that yields form. Individual 28 pendants result from a complex glass blowing technique whereby air pressure is intermittently introduced into and then removed from a glass matrix which is intermittently heated and then rapidly cooled. The result is a distorted spherical shape with a composed collection of imploded inner shapes, one of which acts as a shade for the light source.

Standard 28s are made with clear glass exterior spheres and milk white interior lamp holder cavities. 28s are possible with infinite versatility in colour compositions, sizes and shapes.

NOTES

- + Purchase replacement lamps online at www.bocci.ca/lamps
- + Unless otherwise noted when ordering, all fixtures will be outfitted to be xenon compatible

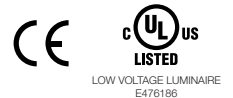
US Patent # D687,740
EU Patent # 001695834-001 to 004

Made in Vancouver, Canada

Vancouver
sales@bocci.ca
www.bocci.ca

Berlin
europe@bocci.ca
www.bocci.ca

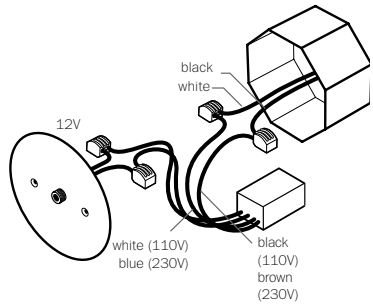
approx 1kg (2lb)



SURFACE LIGHT

28sp

Design by Omer Arbel
PRODUCT SPECIFICATION

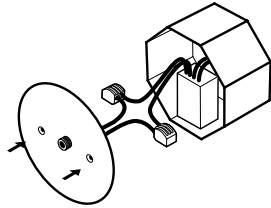


1

Directly mounted to a junction box.

Xenon (110V) or LED: connect the black wire to black and white wire to white wire.

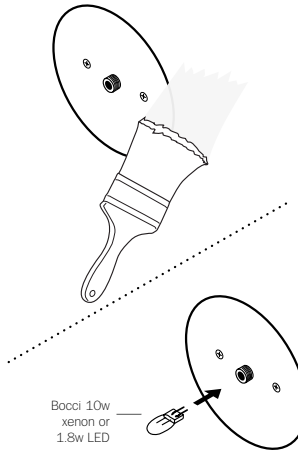
Xenon (230V): connect black wire to brown wire and white wire to blue wire.



2

Join transformer wiring to cover plate wiring using connectors provided.

Tuck wiring into wall opening and affix the back plate with fasteners provided.



3

Paint over the back plate to match the wall finish.

Bocci LED or xenon lamps included.

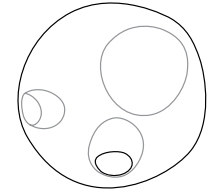
Plug the lamp into the socket.

Do not touch the lamp with your bare hands.

Purchase replacement lamps online at www.bocci.ca/lamps

4

Gently thread glass sconce onto back plate. Do not tighten past the point of contact.



5

Clean fingerprints from glass surfaces.

Turn fixture on.

For additional assistance, please contact Bocci:

Vancouver
sales@bocci.ca
www.bocci.ca

Berlin
europe@bocci.ca
www.bocci.ca

US Patent # D687,740
 EU Patent # 001695834-001 to 004

Made in Vancouver, Canada



28sp

Design by Omer Arbel
 PRODUCT INSTALLATION INSTRUCTIONS

© 2018, Bocci Design and Manufacturing Inc. All rights reserved. Any inquiries should be directed to: info@bocci.ca

BOCCI