

LUNAOP

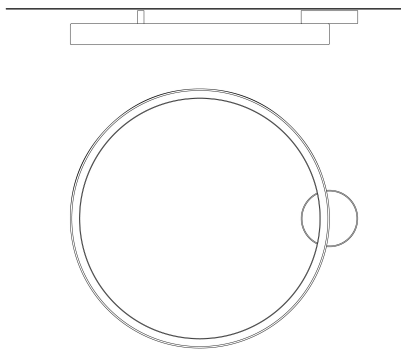
code: **2886/DIM/BI**






DESIGN EMILIANA MARTINELLI 2017



HANGING LAMP WITH DIFFUSED LIGHT, WHITE LACQUERED ALUMINIUM STRUCTURE AND WHITE OPAL METHACRYLATE DIFFUSER. LED LIGHT SOURCE INTEGRATED AND ELECTRONIC DRIVER DIMMABLE PUSH/DALI, TRIAC 5 WIRES, 0-10V AND 1-10V INSERED INTO THE STUD, TO BE FIXED ON THE CEILING.

TECHNICAL DRAWINGS



UTILIZATION: INTERNAL		TPOLOGY: CEILING LAMPS 	
COLOURS	STRUCTURE: DIFFUSER:	WHITE WHITE	
MATERIALS	STRUCTURE: DIFFUSER:	ALUMINIUM OPAL WHITE METHACRYLATE	
MEASURES	WIDTH: - HEIGHT: 6,5 cm LENGTH: - DEPTH: - PACKAGING VOL.M ³ : -	DIAMETER: 80 cm HOLE DIAMETER: - HOLE DEPTH: -	WEIGHT NET: 3 GROSS: - NUMBER OF ITEMS: 1
BULBS	LED 1X72W FLUX: 5600LM KELVIN: 3000° CLASS: A++ CRI: >80 COLOR TOLERANCE: - DURATION: 40000H		
DEVICE SPECIFICATIONS			
TYPE OF EMISSION: DIFFUSED POWER: 63 W FLOW LAMP: 3400 lm BEAM ANGLE: - DEVICE EFFICIENCY: 54lm/W IMPACT RESISTENCE: - GLOW WIRE TEST: -		POWER SUPPLY CABLE LENGTH: 400cm LENGTH OF HANGING CABLE: - SUPPLY: INCLUDED POWER SUPPLY ASSEMBLY: EXTERNAL TYPE OF DIMMING: PUSH, DALI OR 1-10V (ON REQUEST) VOLTAGE: 230 V	
POWER SUPPLY: ELECTRONIC DIMMABLE POWER SUPPLY			
CERTIFICATIONS	   		
MARKETS	THIS ITEM IS AVAILABLE IN THE FOLLOWING COUNTRIES: EUROPE		

LUNAOP

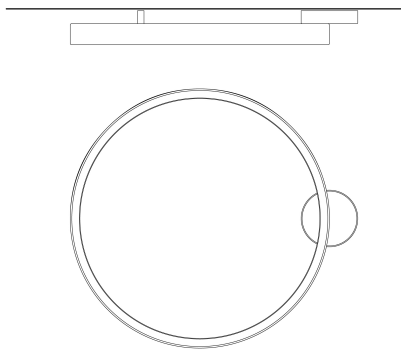
code: **2886/G/DIM/BI**

DESIGN EMILIANA MARTINELLI 2017



HANGING LAMP WITH DIFFUSED LIGHT, WHITE LACQUERED ALUMINIUM STRUCTURE AND WHITE OPAL METHACRYLATE DIFFUSER. LED LIGHT SOURCE INTEGRATED AND ELECTRONIC DRIVER DIMMABLE PUSH/DALI, TRIAC 5 WIRES, 0-10V AND 1-10V INSERED INTO THE STUD, TO BE FIXED ON THE CEILING.

TECHNICAL DRAWINGS



UTILIZATION:	INTERNAL	TYPOLGY:	CEILING LAMPS	
COLOURS	STRUCTURE: DIFFUSER:	WHITE WHITE		
MATERIALS	STRUCTURE: DIFFUSER:	ALUMINIUM OPAL WHITE METHACRYLATE		
MEASURES	WIDTH: - HEIGHT: 6,5 cm LENGTH: - DEPTH: - PACKAGING VOL.M ³ : -	DIAMETER: 120 cm HOLE DIAMETER: - HOLE DEPTH: -	WEIGHT NET: 5 GROSS: -	NUMBER OF ITEMS: 1
BULBS	LED 1X108W LED FLUX: 8400LM KELVIN: 3000° CLASS: A++ CRI: >80 COLOR TOLERANCE: - DURATION: 40000H			
DEVICE SPECIFICATIONS				
TYPE OF EMISSION: DIFFUSED		POWER SUPPLY CABLE LENGTH: -		
POWER: -		LENGTH OF HANGING CABLE: -		
FLOW LAMP: -		SUPPLY: INCLUDED		
BEAM ANGLE: -		POWER SUPPLY ASSEMBLY: EXTERNAL		
DEVICE EFFICIENCY: -lm/W		TYPE OF DIMMING: PUSH/DALI, TRIAC 5 WIRES, 0-10V AND 1-10V		
IMPACT RESISTANCE: -		VOLTAGE: 230 V		
GLOW WIRE TEST: -				
POWER SUPPLY: ELECTRONIC DIMMABLE POWER SUPPLY				
CERTIFICATIONS				
MARKETS	THIS ITEM IS AVAILABLE IN THE FOLLOWING COUNTRIES: EUROPE			

LUNAOP

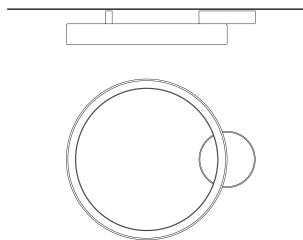
code: **2886/J/DIM/BI**

DESIGN EMILIANA MARTINELLI 2017



HANGING LAMP WITH DIFFUSED LIGHT, WHITE LACQUERED ALUMINIUM STRUCTURE AND WHITE OPAL METHACRYLATE DIFFUSER. LED LIGHT SOURCE INTEGRATED AND ELECTRONIC DRIVER DIMMABLE PUSH/DALI, TRIAC 5 WIRES, 0-10V AND 1-10V INSERED INTO THE STUD, TO BE FIXED ON THE CEILING.

TECHNICAL DRAWINGS



UTILIZATION:	INTERNAL	TYPOLGY:	CEILING LAMPS	
COLOURS	STRUCTURE: DIFFUSER:	WHITE WHITE		
MATERIALS	STRUCTURE: DIFFUSER:	ALUMINIUM OPAL WHITE METHACRYLATE		
MEASURES	WIDTH: - HEIGHT: 6,5 cm LENGTH: - DEPTH: - PACKAGING VOL.M ³ : -	DIAMETER: 50 cm HOLE DIAMETER: - HOLE DEPTH: -	WEIGHT NET: - GROSS: -	NUMBER OF ITEMS: 1
BULBS	LED 1X48W FLUX: 3700LM KELVIN: 3000° CLASS: A++ CRI: >80 COLOR TOLERANCE: - DURATION: 40000H			
DEVICE SPECIFICATIONS	TYPE OF EMISSION: DIFFUSED POWER: - FLOW LAMP: - BEAM ANGLE: - DEVICE EFFICIENCY: -lm/W IMPACT RESISTANCE: - GLOW WIRE TEST: -		POWER SUPPLY CABLE LENGTH: - LENGTH OF HANGING CABLE: - SUPPLY: INCLUDED POWER SUPPLY ASSEMBLY: EXTERNAL TYPE OF DIMMING: PUSH/DALI, TRIAC 5 WIRES, 0-10V AND 1-10V VOLTAGE: 230 V	
	POWER SUPPLY: ELECTRONIC DIMMABLE POWER SUPPLY			
CERTIFICATIONS				
MARKETS	THIS ITEM IS AVAILABLE IN THE FOLLOWING COUNTRIES: EUROPE			