

IL FANALE

rev. 25-07-2016



IP44 CE F



PATIO - 225.05.ORT

CHARACTERISTICS

TIPOLOGY	Applique
CATEGORY	Outdoor lamps

FINISHES

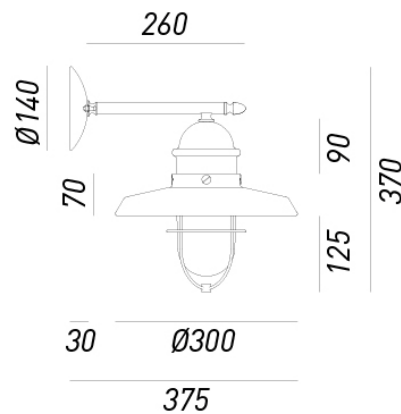
FRAME	Brass / Brass
SHADE	Rame
OPTICS	Transparent Glass

ELETRICAL CHARACTERISTICS

SOCKET	E27
POWER	1 x MAX 57W HES
ENERGY CLASS	A++/E
INPUT	240V
POWER SUPPLY	No

CUSTOMIZATIONS

COLOUR	Yes
STRUCTURE	Yes



Il Fanale Group

Via Bredariol Olivo 15, San Biagio Di Callalta - Treviso - Italy

Telefono +39 0422 895200 - fax +39 0422 895110 - www.ilfanale.com - info@ilfanale.com