



### General Features

Description: Pole

Insulation class: class II

Rated voltage: 220-240 V 50/60 Hz

Protection Grade: IP66

Impact protection: IK08

Power Factor: > 0.90

Ambient temperature Ta: -30°C +50°C

Weight: 34.00 kg

Max exposed surface: 0,180 m<sup>2</sup>

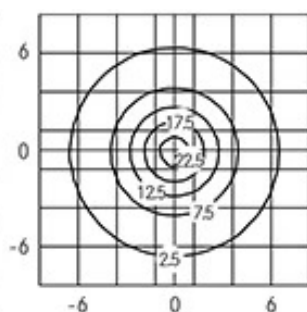
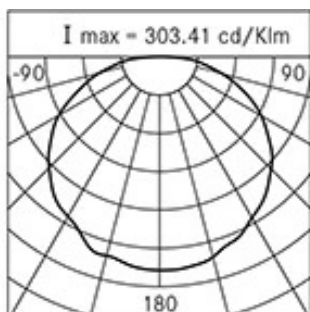
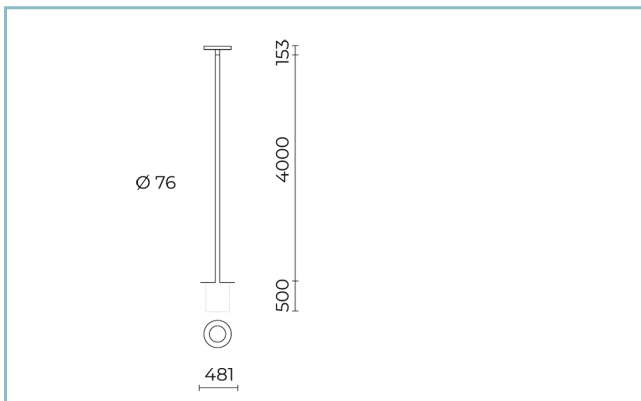
Lateral exposed surface: 0,036 m<sup>2</sup>

Common mode surge protection: 4 kV

Overvoltage protection differential mode: 8 kV

Drivers: included

Marks and Certifications: CE



### Performance Data\*

Source flow:	3600 lm
Source power:	46 W
Source efficiency:	78 lm/W
Device flow:	2073 lm
Device power:	50 W
Appliance efficiency:	41 lm/W
Glare Index Category:	D5

**Product Sheet**

Rev. 17/01/2023

**Ekleipsis Pole**

Size: large H. 4000mm

Color Temperature: 4000 K

Type of optics: rotosymmetrical wide beam

**06EK4O0300A**

Colour: Grey RAL9006

**Optical System**

Source: LED

Color Temperature: 4000 K

Color Rendering Index (CRI):  $\geq 80$ Color Consistency (SDCM):  $\leq 3$ 

Type of optics: rotosymmetrical wide beam

Optical group life:  $>60.000\text{h}$  @Ta25°C L80B10

Photobiological safety class: EXEMPT GROUP

**Normative References**

EN60598-1 / EN60598-2-3 / EN62471 / EN61547

**Installation and maintenance**

Installation: burying (H.A.G. 4000 mm)

Fixing: 3 x M6X10 bolts

 $\varnothing$  power cable: 9 ÷ 12 mm

Cable Gland: PG16

**Flow adjustment**

On request

DALI control

X

**Materials**Body: die-cast aluminium alloy UNI EN AB 47100 (copper content  $< 1\%$ ); stem pole made of painted galvanised steel

Lenses: polycarbonate

Seals: anti-age silicone

Finish: phospho-chromatation treated and polyester powder-coated in 16 phases to increase weather resistance

**Colors**

■ Grey RAL9006

Code: **06EK4O0300A**

---

**Product Sheet**

Rev. 17/01/2023

**Ekleipsis Pole**

Size: large H. 4000mm

Color Temperature: 4000 K

Type of optics: rotosymmetrical wide beam

**06EK4O0300A**Colour: Grey RAL9006

---

---

**NOTES****\*Performance data**

The values indicated in this data sheet are nominal values with a tolerance of +/-7%.

Source flux and source efficiency data refer to the LED module without optics; in case you are interested in the performance of the LED module complete with optical system, you must multiply the data reported by the factor 0.9.

**General Data**

The characteristics of the product listed may be subject to change and must be confirmed when ordering.

In order to promote constant updating of its products, Cariboni Group reserves the right to make changes without prior notice.