

TALK Pendant

Designer: Nahtrang Design

00-5458-Z5-F9 V0



Finish
Urban grey
Opal

Material
Aluminium
Steel
Glass



TECHNICAL CHARACTERISTICS

Light source

Light source: LED CREE
Output (W): 13W
Total power consumption (W): 14.5W
Color temperature: Warm White - 2700K
CRI: 80
Real Lumen: 1257
Nominal Lumen: 1390
Qty Leds: 2
Lm/Real W: 97
Bin / Grup: 27H
UGR: 13.4
Photobiological risk: RG1

GEAR

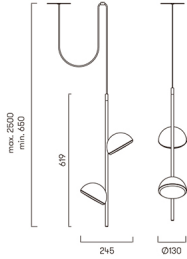
Brand: EAGLERISE
Gear included: Yes, electronic
Voltage / Frequency:
100-240VAC/50-60Hz
Power Factor: 0.89

Luminaire

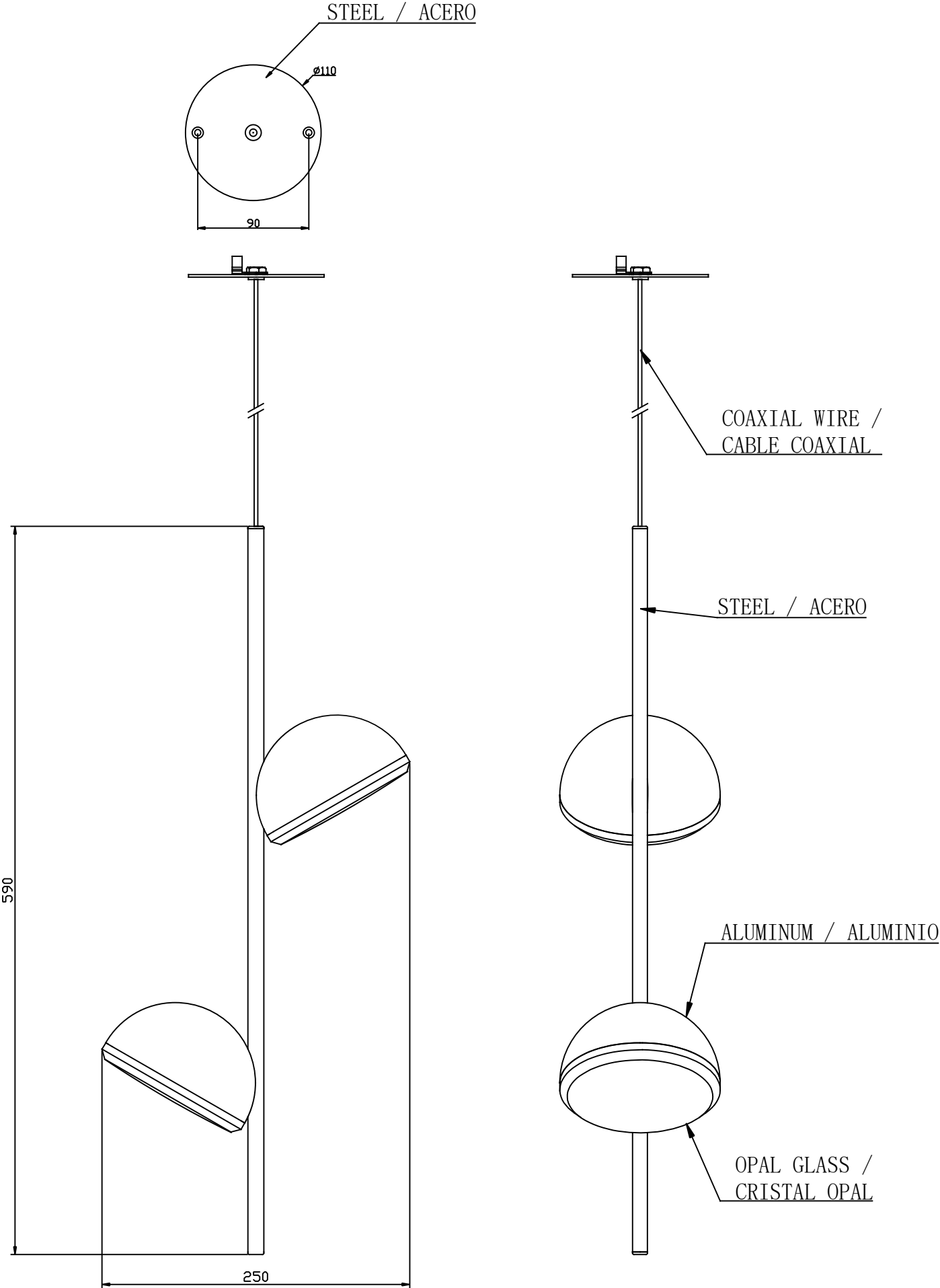
Warranty: 5 Years

Logistics

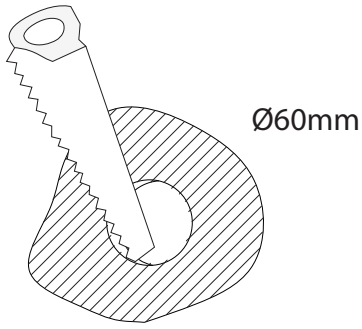
Energy Efficiency: LED A++
EAN Code: 8435381450267
Net Weight (Kg): 1.325
Weight in Kg (packaged): 2.779
Packing: 655 x 310 x 190
Masterbox: 45



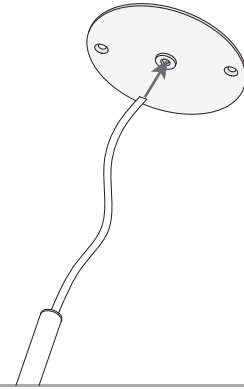
The photograph may not match the reference exactly. Please read the product description to identify the finish.



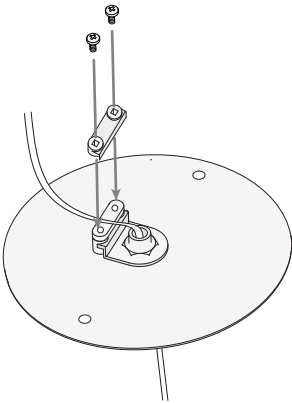
1



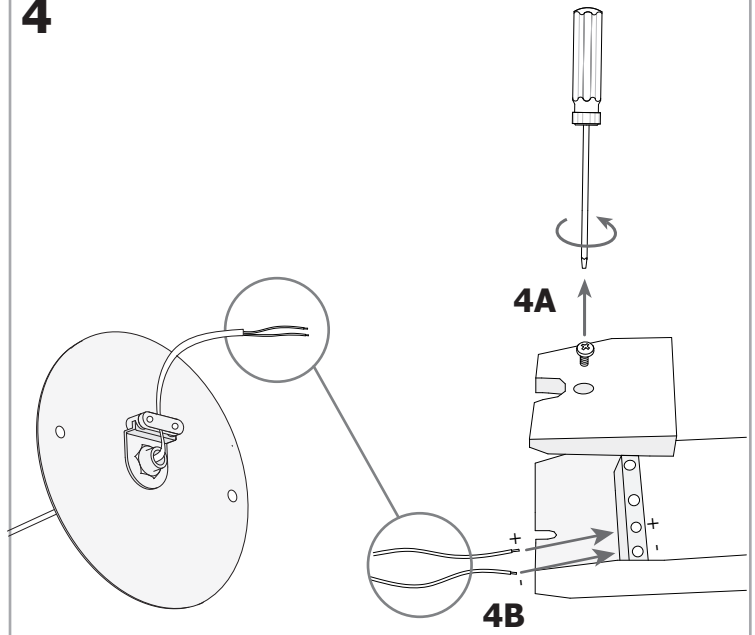
2



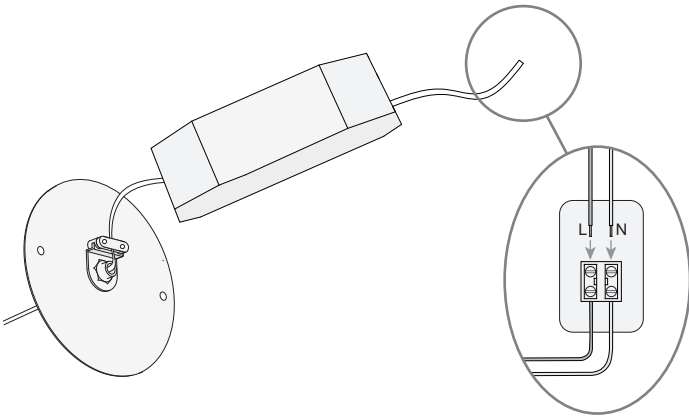
3



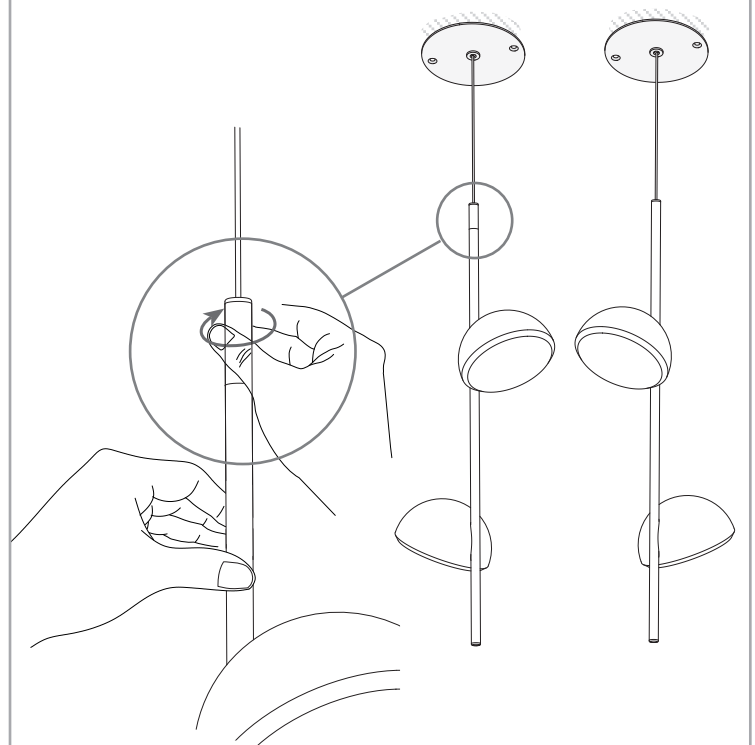
4



5



7



6

