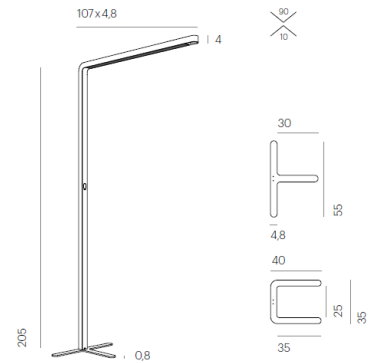
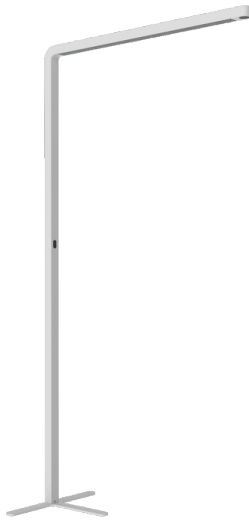


## TEAM TWO white

TM20-1



### TECHNICAL SPECIFICATIONS

|                                      |               |
|--------------------------------------|---------------|
| Lamp holder                          | LED           |
| Mounting method                      | Floor         |
| Light distribution                   | symmetric     |
| Luminaire luminous flux              | 15600 lm      |
| Color temperature                    | 3500 K        |
| Power consumption (maximum)          | 117 W         |
| Colour rendering index (CRI)         | 94 & 83       |
| Direct color rendering index (CRI)   | 94            |
| Indirect color rendering index (CRI) | 83            |
| Complies with EN12464                | Yes           |
| max. luminance >65°                  | < 1400 cd/qm  |
| UGR                                  | < 10          |
| Rated voltage (range)                | 220-240 V     |
| Power frequency                      | 50-60 Hz      |
| Surface                              | powder-coated |
| Housing material                     | aluminium     |
| Type of lamp control gear            | Driver        |
| Ballast included                     | Yes           |
| Protection class                     | I             |
| Number of lampheads                  | 1             |
| Energy efficiency                    | A - A++       |
| Dimmable                             | Yes           |
| Type of Dimmer                       | Touch Dim     |
| Material of the grid                 | plastic       |
| Length of connection cable           | 2000 mm       |
| Weight                               | 8,8 kg        |
| lamphead is rotatable                | No            |

### LIGHT DIAGRAM

