

Bolda Atelier 05

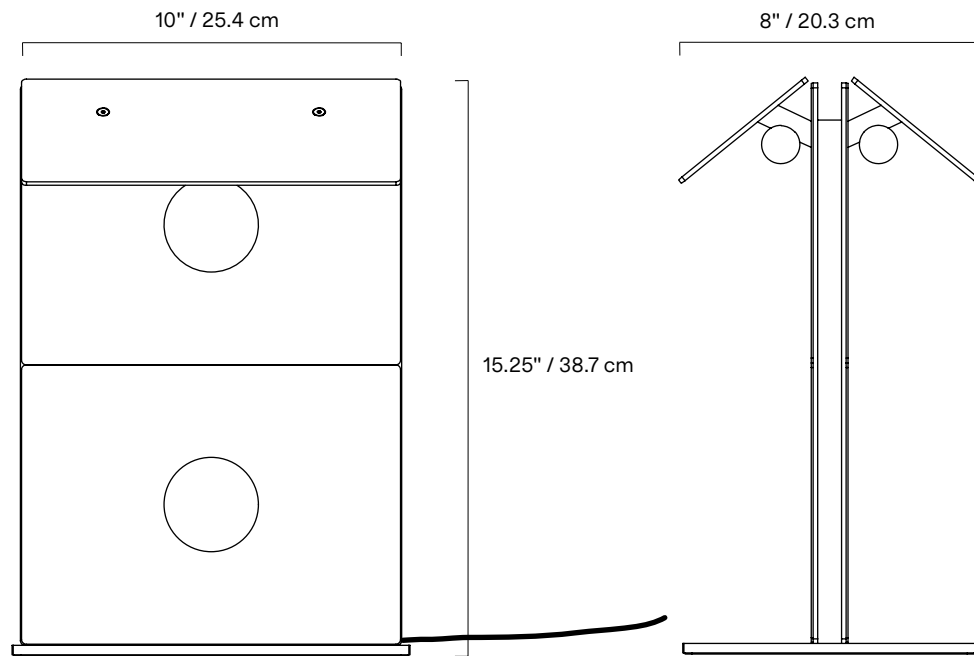
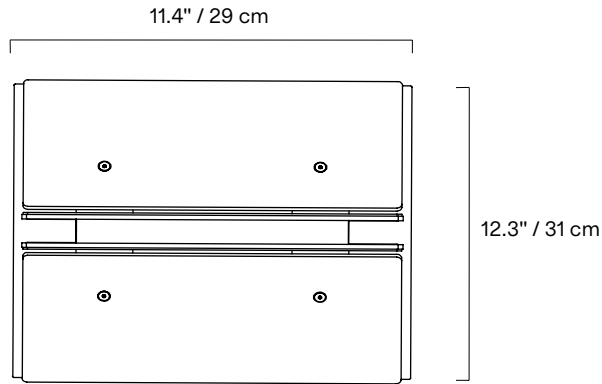


Bolda, the latest creation from Lambert & Fils, is the result of a creative dialogue with South Korean designer Kwangho Lee. This collaboration bridges tradition and innovation, combining the Canadian studio's signature polished aluminium with Lee's enamelled copper plates, inspired by the ancestral chilbo technique. The light, concealed beneath the cover fold, seeps into all the integrated openings, accentuating the edges and junctions of each piece. Punctuated by large circular perforations, Bolda's main body is in constant dialogue with the space around it, shaping its forms according to the observer's point of view and the surrounding colors. The collection embodies a collaborative exploration of craftsmanship and materiality.

TYPE	Table
CONSTRUCTION	Aluminum body Acrylic light diffuser
SPECIFICATIONS	Source: LED array, integrated Power consumption: 8W Lumen output 2700K: Titanium white: 342 lm Other colours: 315 lm Colour temperature: Preset dim to warm 2700K to 2200K Other CCT available, see page 5 for touch dimmer programming.
CONTROL	100-240V touch dimmer only
CORD LENGTH	72" / 182 cm
WEIGHT	13.4 lb / 6 kg
WARRANTY	2 years

NOTES

- Body can be rotated to position either face (colour) on the touch-dimmer side. See installation manual.
- Dimensions are approximate and may vary slightly



ENAMEL FINISH

(*Enameling is an inherently unique process; finish may differ from piece to piece)



- | | | | |
|------------------------------|------------------------------|----------------------------|--------------------------------|
| BB
Bluish
black | FO
Flame
orange | SG
Steel
grey | TW
Titanium
white |
|------------------------------|------------------------------|----------------------------|--------------------------------|

CORD

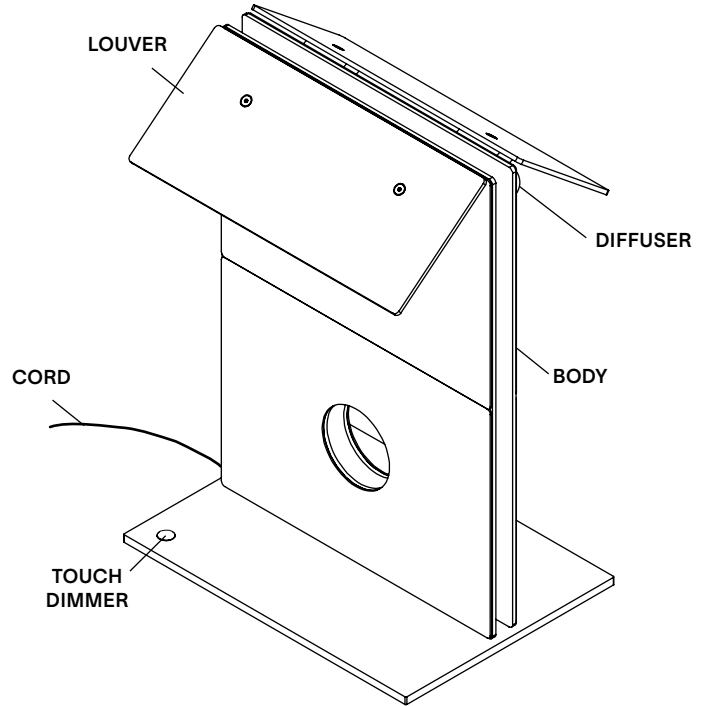


- BK**
Black

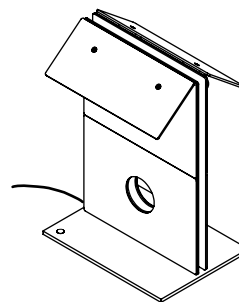
NOTES

- LED may only be changed by Lambert & Fils or other authorized personnel
- Not protected against liquids (refer to IP20)
- Additional charges for modifications or for special orders
- Please refer to maintenance sheet on our website for cleaning instructions

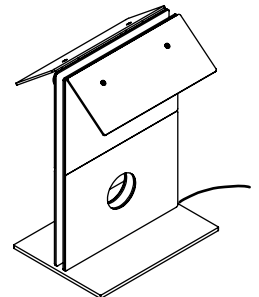
LAMP ANATOMY



side A
(touch dimmer)



side B



		Example	Fill with your selection
COLLECTION	BDA Bolda	BDA	BDA
MODEL	55	55	55
COLOUR SIDE A	BB Bluish black FO Flame orange SG Steel gray TW Titanium white	BB	
COLOUR SIDE B	BB Bluish black FO Flame orange SG Steel gray TW Titanium white	BB	
FULL SKU		BDA55BBBB	
		NOTES	

GENERAL NOTES

The touch dimmer is located on the base.
The luminaire is preset to dim-to-warm mode (2700K-2200K). Other options available, refer to programming section below.
When plugging in the luminaire, wait 5 seconds before touching the dimmer.

STANDARD OPERATIONS

1 or 2 touches = Turn ON/OFF

1 constant touch when light is OFF = Light dims up from 0%

1 constant touch when light is ON = Light dims up/down alternatively

3 touches = Turn ON 100%

PROGRAMMING

4 touches = Cycle colour temperature (CCT) value between 2200K-2700K-3000K-3500K-4000K.
Repeat the 4 touches in between each value. Light will blink to indicate it has switched from a value to the other.

5 touches = Set to dim-to-warm mode (3000K to 2200K). Light will blink two times to indicate it has recorded the value.
Repeat the 5 touches to set to dim-to-warm mode (2700K to 2200K). Light will blink two times to indicate it has recorded the value.

