



SPHOOPS6
Design by Giovanni Barbato

Collection consisting of ceiling lamps and suspended lamps with interchangeable elements in different shapes and sizes. Gold or black finish. Built-in dimmable LED light source.

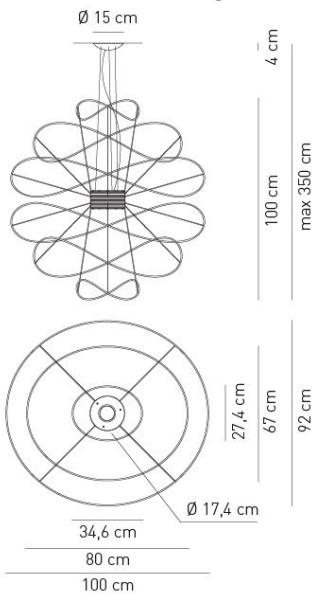
Typology: SUSPENDED LAMP

Ratings

- Built in line voltage **LED** module
- CCT 3000 K
- Downlight and uplight
- Surface installation over holes
- Supply voltage ~220-240V
- Switch mode: on-off, dimmable trailing edge

kg 7.7 m³ 0.43

Product code composition



HOOPS / con illuminazione verso alto e basso / with upward and downward lighting

Type	Article	Colours / Finish	Source
SP	HOOPS 6	OR gold / OR gold NE black / NE black	LED 34W - diffused beam 3000K other CCT options available upon request

IP20 CRI90 220-240V_{AC} **LED** ~2660 lm 78 lm/W
 example composition code SP HOOPS6 OR OR LED

Available colors



OR
Gold



NE
Black

EELc (Energy Efficiency Label compatibility) contain built in LED lamps that cannot be changed: A, A+, A++

CUSTOMER _____ NOTES _____

SPHOOPS6 _____ LED _____

NOTICE:

Luminous flux (lm) and efficacy (lm/W) for all LED luminaires is based on nominal ratings of the LED sources. Technical data could be subject to alteration without notice. Axo Light does not provide legal guarantee for the accuracy of this data sheet.