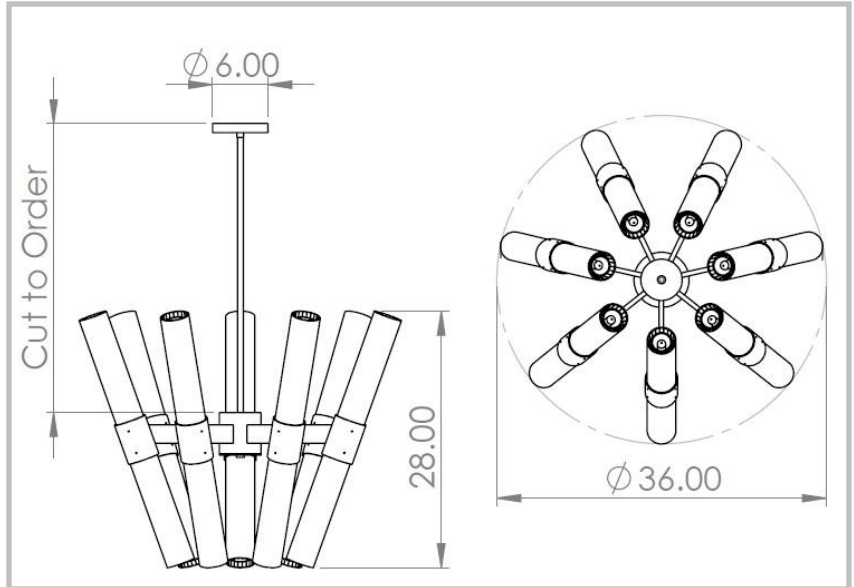


DIXIE SERIES: FOURTEEN LIGHT CHANDELIER

The Dixie series centers around a bold fluted glass light assembly. The chandelier puts this large scale detail on display in monumental fashion. Its modular design and production allow for a wide range of custom configurations built to order.



Shown in Burnished Brass with (x14) light configuration



All Dimensions in Imperial US inches

SPECIFICATIONS Each Trella Studio product is handmade to order. Custom configurations are available on request.

MATERIAL	Brass / Fluted Borosilicate Glass / White Acrylic diffusers	DIMENSIONS	36" diameter X 28" tall X [overall height to order]
FINISHES	Satin Brass - Blonde Patina - Brown Patina - Antique - Blackened Brass - Burnished Brass - Polished Nickel - Satin Nickel - Polished Black Nickel - Pewter - Polished Chrome - Colored Powder Coat - Polished Brass	LAMPING	(14) 40W Frosted E-26 Base T8 Tubular Bulbs Dimmable - 600 Watt / 120 Volt
PRODUCED	New York City	CERTIFICATIONS	UL Certification available on request
LEAD TIME	12 Weeks		