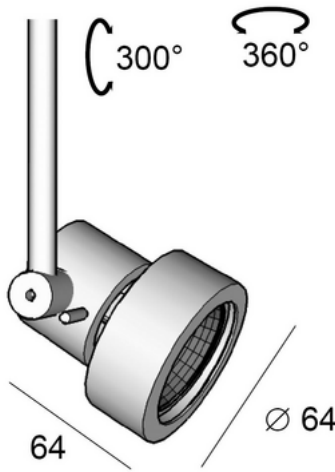


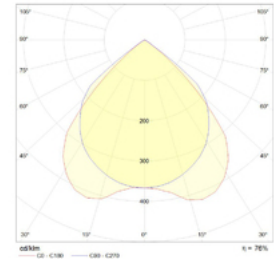
BEL LIGHTING | Process

1186.6.00

IP20 Class I **CE**




use lamp bulb data
utiliser les données de la lampe
 gebruik lamp gegevens
Lampendaten verwenden
 Χρησιμοποιήστε δεδομένα λαμπτήρων



Product Description

Spot for halogen lamp in brushed aluminum for ceiling or wall mounting. PROCESS is an elegant spot that is adaptable to different bases. This quality luminaire is manufactured by machining process, installed by itself or in groups, this is an attractive solution for many indoor lighting applications.

General technical data

Manufacturing material :	Body made in aluminum
Surface finishing :	brushed natural aluminum
Diffuser type :	
Fixation :	 ceiling - wall
IP Protection degree :	IP20
Shock resistance degree :	
Reference temperature :	25°C
Working Environment Temperature :	-20°C > +50°C
Minimum Life time @ Ta 40°C :	
Weight (Kg) :	0.25 Kg
Energy class EC :	E-F
Country of origin :	made in Belgium

Reference Standards and Directives

Warranty :	2 years extendable to 5
Product certification :	CE
Certification and approval marks :	ISO 9001 - 2015 & ISO 14001 - 2015

Available accessories

Base Solid / Clip / Titan

Lighting characteristics

Number of light sources :	1
Light source type :	Led GU10
Luminaire power :	10 W
Colour temperature :	K
Colour Rendering Index :	
Luminous flux (lumens) :	
Luminous flux efficiency :	
MacAdam step :	
Beam angle ° FWHM :	see bulb data°
Lighting type :	direct

Electrical characteristics

Insulation Class :	I
Voltage / Current :	220-240V / 50-60Hz
Dimmable :	Yes

Available On Request

Other lenght (customized)
Anodized black (02A), aluminum (32) or bronze (33)

BEL LIGHTING | Process

1186.6.00

IP20

Class I



Others photos
from the same range

