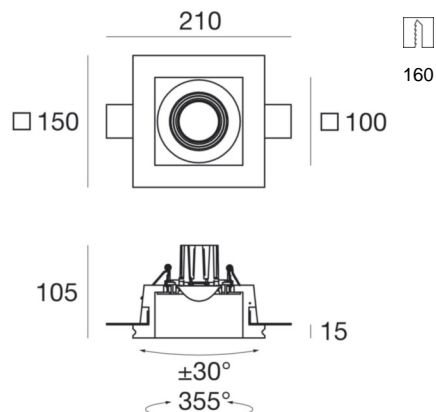
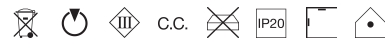


# Gypsum\_QC4



Downlights | arrayLED 7.5 W 200 mA | CRI 80  
60595N70



## Technical data

Installation position	Wall lights - Ceiling
Installation environment	Indoor
Light Source	LED
Optics	Flood
Power	7.5 W
Luminous flux (source)	1153 lm
Current intensity	200mA
CCT / Tonaltà	4000 K
Colour rendering index	80 Ra
C.C. / C.V.	CC
Safety class	3
IP	IP20
Glow wire test	850°
Direct mounting on normally flammable surfaces	Yes
CE	Yes
ETL	No
Fire Rated (BS 476 PT21 compliant)	No
Operating temperature	-30°C / +85°C
Driver included	No
Induction	No
Emergency mode	No
Motion sensor	No
Directional	Orientabile
Tilting	No
Walk-over	No
Drive-over	No
Cable included	No
Resin potting	No
Type of light emission	Single emission
Net weight	1.102 Kg

## Finishing casing

Material	plaster
Colour	white

## Finishing diffuser

Material	Glass
Processing	Sandblasting

## Electronics



62423  
On/Off Driver 176-264V AC

Downlights | arrayLED 7.5 W 200 mA | CRI 80  
**60595N70**

Single emission downlights for indoor application. The natural white LED light source with a flood light distribution is composed of 1 arrayed LEDs with CCT of 4000 K and a CRI 80; the source luminous flux is 1153 lm, with a 153.7 lm/W nominal luminous efficacy and an operating lifetime (L80) of 80000 hours.

The device body is made of plaster and features a white finish; the diffuser is made of glass with a sandblasting treatment. The ingress protection degree is IP20; the total weight is of 1.102 kg. The power supply driver is not provided and is to be ordered separately.

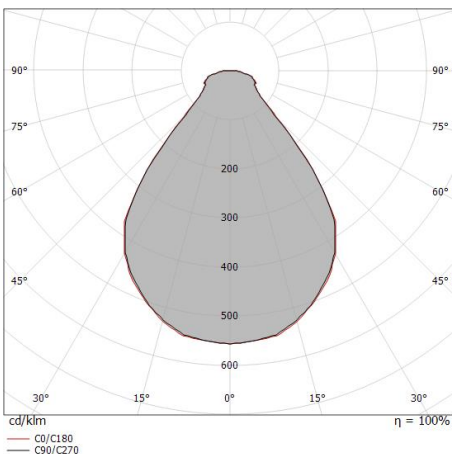
The total absorbed power is 7.5 W.

The device features protection class III and can be wall lights or ceiling-mounted, with a 160 x 160 mm hole (in plasterboard).

Illuminotechnical Features	
Light Output Ratio (LOR)	41 %
Luminous flux (source)	1153 lm
Luminaire luminous flux	476 lm
Consumption	7.5 W
Luminaire efficacy	65 lm/W
Colour temperature	4000 K
Standard Deviation of Colour Matching	3 Step MacAdam
Colour rendering index	80 Ra

UGR	
X=4H   Y=8H	S=0.25H
Reflection factor	70/50/20
UGR transversal	< 22
UGR axial	< 22

OPTICAL	
Light distribution simmetry	Symmetrical
Ottica C0/C180	78°



Distance [m]	Cone diameter [m]	Illuminance [lx]
0.5	0.82	E(0°) 1060 E(C90) 248 E(C0) 247
1.0	1.63	E(0°) 265 E(C90) 62 E(C0) 62
1.5	2.45	E(0°) 118 E(C90) 28 E(C0) 27
2.0	3.26	E(0°) 66 E(C90) 15 E(C0) 15
2.5	4.08	E(0°) 42 E(C90) 10 E(C0) 10
3.0	4.89	E(0°) 29 E(C90) 7 E(C0) 7

Distance [m]      Cone diameter [m]      Illuminance [lx]

— C0/C180 (Half-peak divergence: 78.6°)  
 — C90/C270 (Half-peak divergence: 78.4°)



Gypsum\_QC4 | Downlights | Accessories  
**60595N70**



Thick - KIT thicknesses for installation on plasterboard

**Code**  
60830