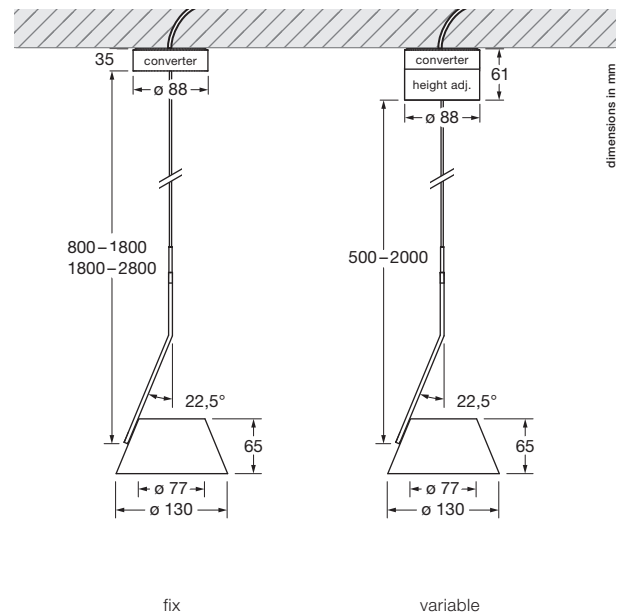


lei sospeso up datasheet

LED pendant luminaire with conical head. Version with surface mount transformer for fitting onto solid ceiling/wall with cable outlet, power supply with internal power source (converter). Available as version with continuous height adjustment or fixed adjustable height. Freely moveable through Occhio 3d-kinematics with two axes of rotation at an angle of 22.5° to each other, use via thermally insulated lampshade. Removable head for maintenance purposes, replaceable LED chip. Lighting effect can be changed via adjustable iris aperture, lampshade white matt, translucent. Power 9 W switchable and dimmable via sensor button on the back of the head. Power supply via AC adapter (converter), cable rolled up in the base (can be deactivated). The finishes of the aperture, cover, arm and base are freely configurable.

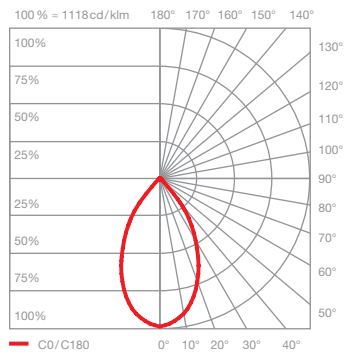


technical data lei sospeso up

properties	material	aluminium, steel chrome-plated, painted or anodised, plastic, glass, stainless steel, optical plastic
	length	variable: 500 – 2000 mm / fix: max. 800 – 1800 mm / 1800 – 2800 mm
	turning range body / head	360° (with stop) / 360°
	weight	variable: 1.4 kg / fix: 0.8 kg
surface	shade	matt white (translucent)
	aperture, cover	matt gold, rose gold, bronze, shiny chrome, matt chrome, glossy white, matt white, matt black, phantom, black phantom
	body	shiny chrome, matt chrome, matt white, matt black
	base	shiny chrome, matt chrome, glossy white, matt white, matt black
Occhio LED	average life time	> 50.000 hrs
	energy efficiency class (luminous efficiency)	G (65 lm / W)
	power	LED 9 W (incl. Occhio power supply unit approx. 11 W, standby < 0.5 W)
	color rendering index	perfect color; CRI Ra 97 high flux; CRI Ra 85
	color temperature (color consistency)	2700–4000 K (2-step)
electricity	dimming	via sensor button on the back of the head (can be deactivated), alternative with trailing edge phase-cut dimmer or Occhio air*
	power supply unit	integrated operating voltage 230 V AC / 50 Hz
	power factor power supply (cos φ1)	0.9
	flicker / stroboscopic effect	1 (PstLM) / 0.9 (SVM)
	permitted operating conditions	max. 30°C for indoor use only

* For a list of compatible dimmers, see www.occhio.de/dim_en

lei sospeso up
lighting effects



lei
directed light
beam angle approx. 60°

insert: iris

luminous flux:	perfect color	9W	610lm
	high flux	9W	840lm