

Taglio tavolo fix datasheet

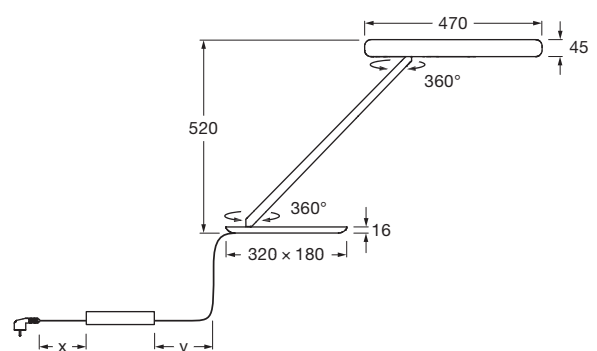
Linear LED table luminaire with double-sided light output and a 47 cm luminaire head length. The lighting effect wide offers expansive, atmospheric light directed upward and direct asymmetrical light directed downward for the perfect illumination of a table.

To be connected via mains adapter (converter) to 230 V AC/50 Hz power supply at 20 W output; control via »touchless control« on the head (can be deactivated) or via Occhio air. The color temperature can be adjusted continuously between 2700 and 4000 K using »touchless control« or Occhio air.

The body and head are freely rotatable without stop (360°), and the head can be removed for maintenance purposes.



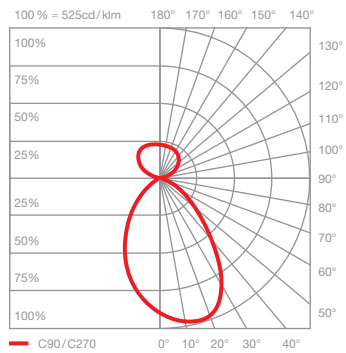
dimensions in mm



technical data Taglio tavolo fix

| | | |
|-------------------------|---|--|
| properties | material | head/body aluminium, base: steel, inserts: optical plastic |
| | cable length | power supply unit (x): 1 m luminaire (y): 2 m of which 1.5 m are retractable |
| | weight | 7.9 kg |
| surface | head | painted: matt white, matt black, matt silver, matt gold PVD coated: rose gold, bronze, phantom anodized: black phantom |
| | body/base/cable | painted: matt white, matt black |
| Occhio »color tune« LED | average life time | > 50.000 hrs |
| | energy efficiency class (luminous efficiency) | G (46 lm/W) |
| | power | 20 W (LED 15 W; standby < 0,5 W) |
| | color rendering index | high color; CRI Ra 95 |
| | color temperature (color consistency) | 2700–4000 K (2-step) |
| electricity | dimming | »touchless control« or Occhio air |
| | connection | 230 V AC / 50 Hz |
| | power factor power supply (cos φ1) | 0.9 |
| | flicker / stroboscopic effect | 1 (PstLM)1 (PstLM)/ |
| | permitted operating conditions | max. 30°C for indoor use only |

Taglio tavolo fix lighting effect



wide

wide light beam (up and down), beam angle approx. 80° directed (down)

inserts: downlight wide asymmetric, uplight flood

luminous flux:
high color 15 W

| | |
|----------------|--------|
| 100% downlight | 790 lm |
| 100% uplight | 360 lm |
| up + downlight | 690 lm |