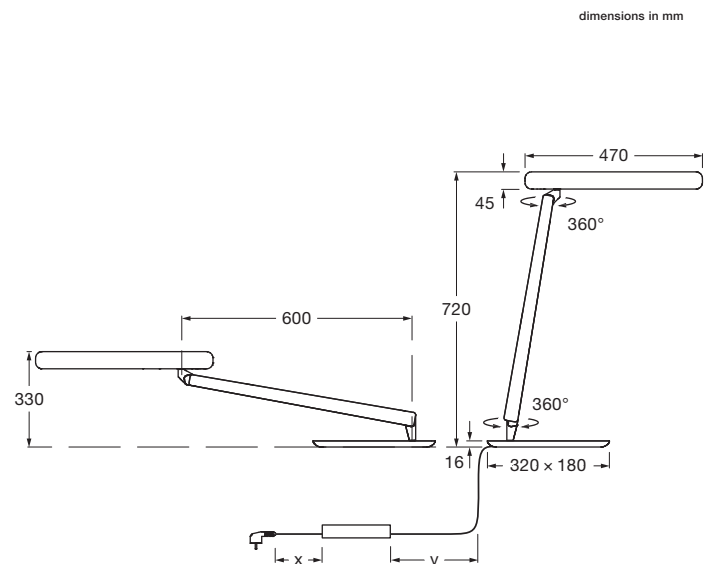


Taglio tavolo datasheet

Linear LED table luminaire with double-sided light output and a 47 cm luminaire head length. The lighting effect wide offers expansive, atmospheric light directed upward and direct asymmetrical light directed downward for the perfect illumination of a table.

To be connected via mains adapter (converter) to 230 V AC/50 Hz power supply at 20 W output; control via »touchless control« on the head (can be deactivated) or via Occhio air. The color temperature can be adjusted continuously between 2700 and 4000 K using »touchless control« or Occhio air.

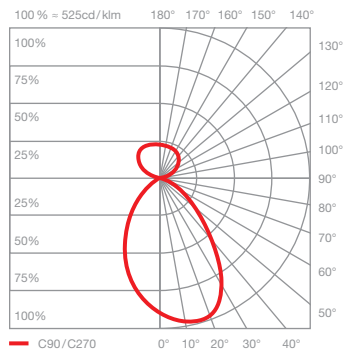
The head is freely rotatable without stop (360°) and can be removed for maintenance purposes. The body is freely height-adjustable and can also be rotated freely through 360° without stop.



technical data Taglio tavolo

properties	material	head / body aluminium, base: steel, inserts: optical plastic
	cable length	power supply unit (x): 1 m luminaire (y): 2 m of which 1.5 m are retractable
	weight	8.2 kg
surface	head	painted: matt white, matt black, matt silver, matt gold PVD coated: rose gold, bronze, phantom anodized: black phantom
	body / base / cable	painted: matt white, matt black
Occhio »color tune« LED	average life time	> 50.000 hrs
	energy efficiency class (luminous efficiency)	G (46 lm / W)
	power	20 W (LED 15 W; standby < 0,5 W)
	color rendering index	high color; CRI Ra 95
	color temperature (color consistency)	2700–4000 K (2-step)
electricity	dimming	»touchless control« or Occhio air
	connection	230 V AC / 50 Hz
	power factor power supply (cos φ1)	0.9
	flicker / stroboscopic effect	1 (PstLM)1 (PstLM) /
	permitted operating conditions	max. 30°C for indoor use only

Taglio tavolo lighting effect



wide

wide light beam (up and down), beam angle approx. 80° directed (down)

inserts: downlight wide asymmetric,
 uplight flood

luminous flux:
high color 15 W 100% downlight 790 lm
 100% uplight 360 lm
 up + downlight 690 lm