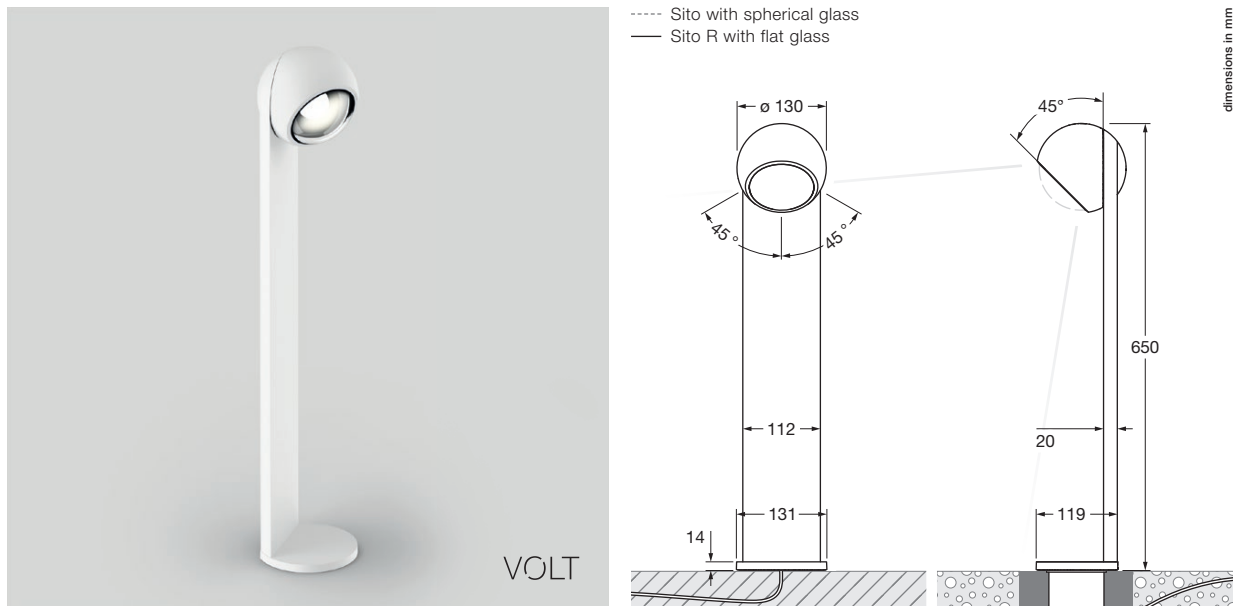


## Sito palo datasheet

LED bollard for exterior with spherical head (adjustable up to 45° to the left and right) and single-sided light output (45°). Available either with spherical glass (Sito) or flat glass (Sito R) with internal lens, the lighting effect can be decided upon purchase.

The luminaire complies with protection class IP65 and is thus dust-tight and jet-proof. Thanks to the optional ground anchoring, it can be also mounted on loose ground. Connection to 230 V (AC) mains voltage; dimmable via trailing-edge phase-cut dimmer\*.

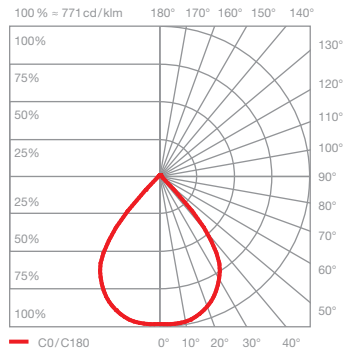


### technical data Sito palo

properties	material	aluminium, painted, optical glass
	movability head	45° (with stop and fixable)
	weight	3.0 kg (ground anchor 2.3 kg)
surface	head	matt white, glossy white, matt black
	body	matt white, matt black
VOLT light engine	average life time	> 40.000 hrs
	energy efficiency class (luminous efficiency)	G (72 lm / W)
	power	LED 18 W
	color rendering index	perfect color; CRI Ra 97
	color temperature (color consistency)	2700 K, 3000 K (2-step)
electricity	dimming	by trailing-edge phasecut dimmer *
	connection	230 V AC / 50 Hz
	power factor power supply (cos φ1)	0.9
	flicker / stroboscopic effect	1 (PstLM) / 0.9 (SVM)
	permitted operating conditions	-20°C to +40°C

\* For a list of compatible dimmers, see [www.occhio.de/dim\\_en](http://www.occhio.de/dim_en)

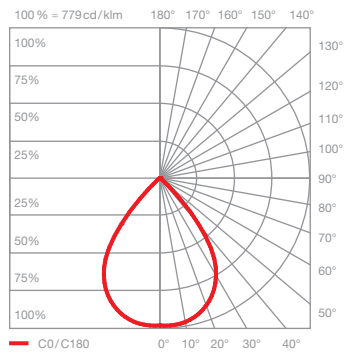
## Sito palo Sito lighting effects



**C80 contour**  
scattered light with contour beam angle  
(approx. 80°)

inserts:            spherical glass  
                         small lens medium

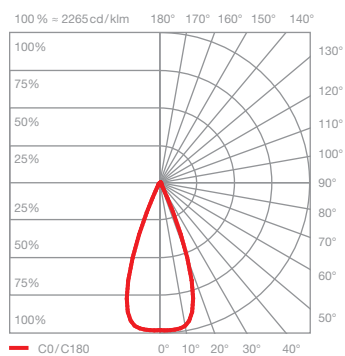
luminous flux :    perfect color    18 W    1100 lm



**S80 soft**  
scattered light with soft contour beam angle  
(approx. 80°)

inserts:            spherical glass  
                         small lens medium  
                         soft edge glass

luminous flux :    perfect color    18 W    980 lm

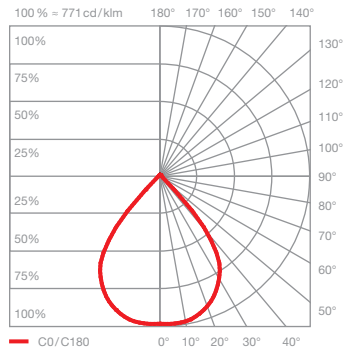


**S40 soft**  
scattered light with soft contour beam angle  
(approx. 40°)

inserts:            spherical glass  
                         small lens medium  
                         fresnel lens

luminous flux :    perfect color    18 W    870 lm

## Sito palo Sito R lighting effects

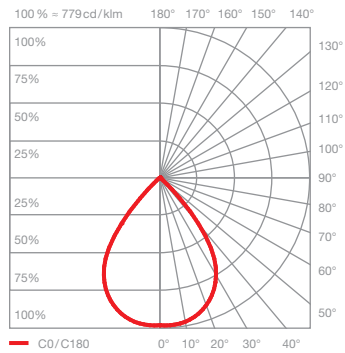


### C80 contour

scattered light with contour beam angle  
(approx. 80°)

inserts:            flat glass  
                         small lens medium

luminous flux :    perfect color    18 W    1100 lm

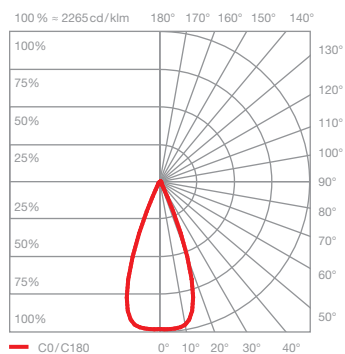


### S80 soft

scattered light with soft contour beam angle  
(approx. 80°)

inserts:            flat glass  
                         small lens medium  
                         soft edge glass

luminous flux :    perfect color    18 W    980 lm



### S40 soft

scattered light with soft contour beam angle  
(approx. 40°)

inserts:            flat glass  
                         small lens medium  
                         fresnel lens

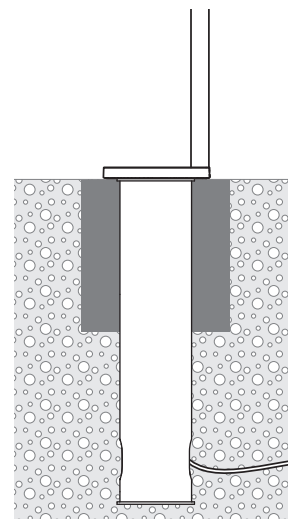
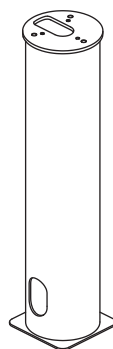
luminous flux :    perfect color    18 W    870 lm

## Sito palo mounting accessories

---

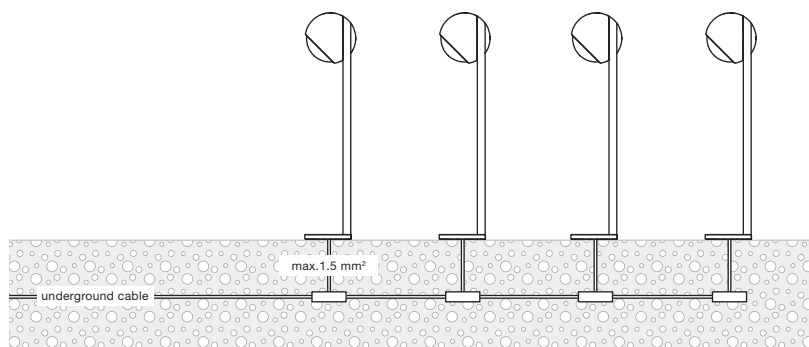
**ground anchor**  
for potting in concrete

width: 95 mm  
height: 400 mm  
depth : 95 mm

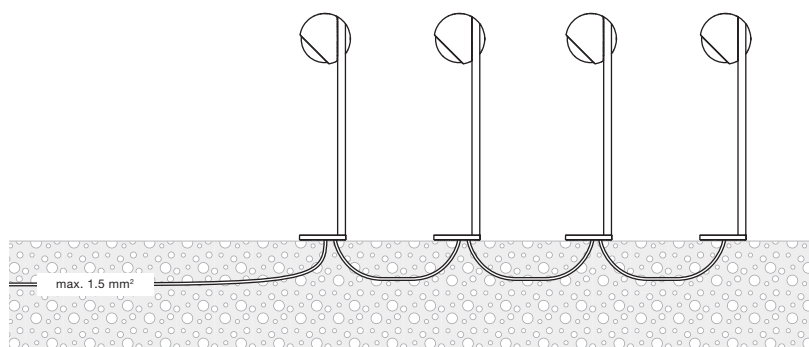


## Sito palo connect several luminaires

through-wired with buried exterior  
junction box



through-wired with plug in terminals



Occhio air module in switch box or  
distribution box



max. 4 luminaires

