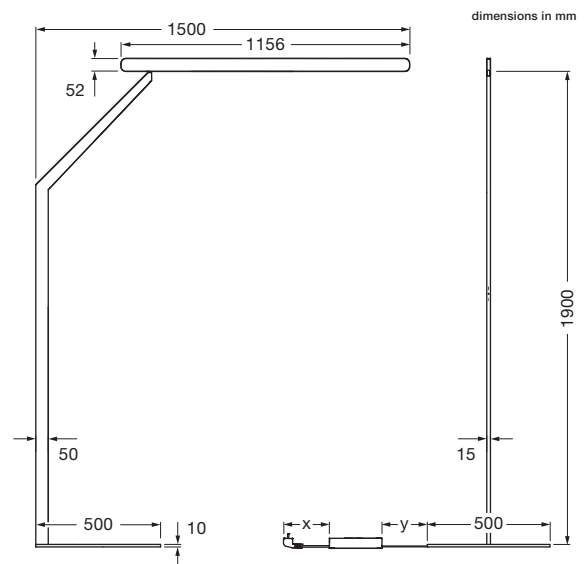


Mito terra 3d datasheet

Linear LED free-standing luminaire with double-sided light emission, height of 190 cm (body) and swivel-mounted head for the flexible alignment at the table. The tilted luminaire unit positions the head over the table or counter / workstation. Symmetrical light pattern for homogeneous lighting – wide, anti-glare light beam directed downwards and upwards. An automatic mode is available for Office applications: Measurement of ambient light by »ambient light control« and automatic control of brightness according to the desired settings. The »presence sensor« of the luminaire allows switching by absence or presence in the room. Connection via plug-in power supply (converter) to 230VAC/50Hz mains voltage, head can be removed for maintenance purposes. Power max. 70 W, control via »touchless control« (gesture control at the head), »body sensor« at the luminaire unit, »ambient light control« (ambient light sensor at the head), »presence sensor« (motion sensor at the head) or with Occhio air. The sensors »touchless control« + »body sensor«, »ambient light control«, »presence sensor« can be deactivated via Occhio air app.



technical data Mito terra 3d

properties	material	head/body aluminium, painted, PVD-coated, optical plastic base powder-coated
	cable length	power supply unit (x): 1 m luminaire (y): 2 m of which 1.5 m are retractable
	weight	21.5 kg
surface	head	bronze, matt gold, rose gold, matt silver, matt white, matt black, phantom, black phantom
	body / base	matt silver, matt white, matt black
Occhio »color tune« LED	average life time	> 50.000 hrs
	energy efficiency class (luminous efficiency)	G (71 lm / W)
	power	LED 70 W (incl. Occhiopower supply unit approx. 76 W, standby <0,5 W) / matt black, matt white, matt gold, matt silver LED 56 W (incl. Occhiopower supply unit approx. 63 W , standby <0,5 W) / bronze, rose gold, phantom, black phantom
	color rendering index	high color; CRI Ra 95
	color temperature (color consistency)	2700–4000 K(2-step)
electricity	dimming	via »touchless control«, »via body sensor« or with Occhio air
	connection	230 V AC / 50 Hz
	power factor power supply (cos φ1)	0.9
	flicker / stroboscopic effect	1 (PstLM) / 0.9 (SVM)
	permitted operating conditions	max. 30°C for indoor use only

Mito terra 3d lighting effects

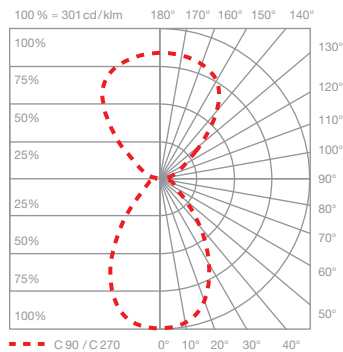
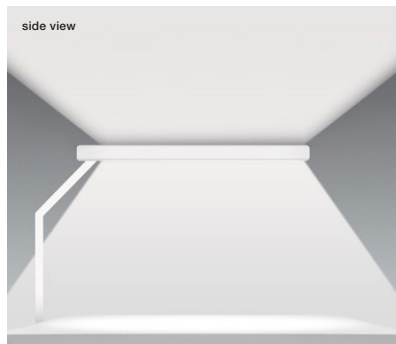
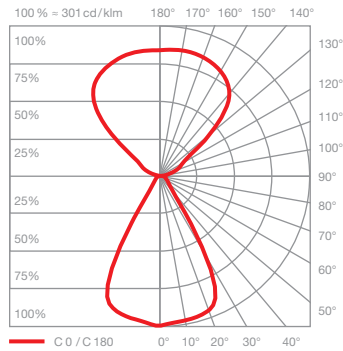
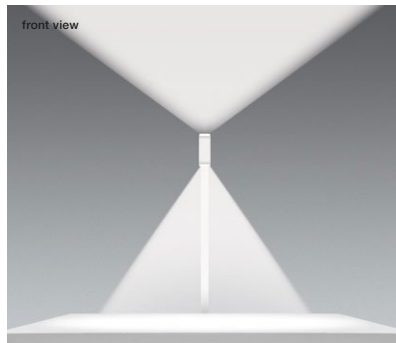


table (wide)

wide light beam (up and down), beam angle approx. 80° (down)

inserts: wide / flood

luminous flux:	high color	70 W*	4600lm
	high color	56 W**	3600lm

UGR (4H8H) < 19***

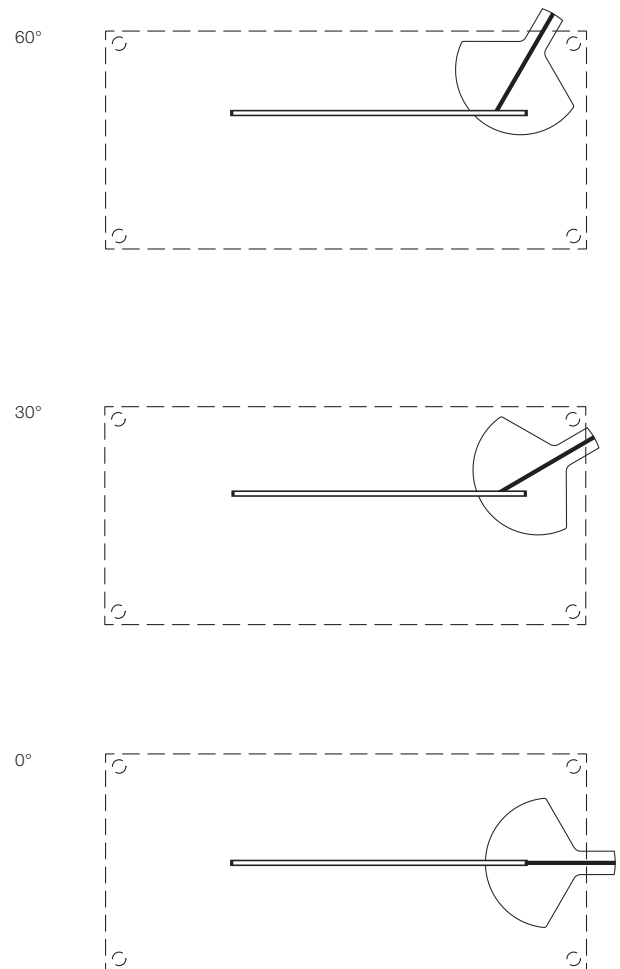
* (matt black, matt white, matt gold, matt silver)

** (bronze, rose gold)

*** For a reliable assessment of glare values in a real application of a luminaire we recommend to carry out an individual calculation which can be prepared by our lighting team (project-support@occhio.de).

Orientation

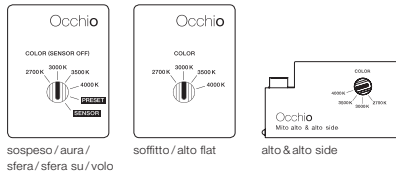
Mito terra 3d
double sided head swivelable by 60°



control options

Control

Mito set box



sospeso / aura / sfera / sfera su / volo

soffitto / alto flat

alto & alto side

sospeso / aura / sfera / volo:

COLOR (Sensor off)
adjustable color temperature (4 steps)
trailing-edge phase cut dimming possible

PRESET (sospeso / aura / volo)
adjustable color temperature (4 steps)
adjustable up / downlight ratio (5 steps)
trailing-edge phase cut dimming possible

PRESET (sfera)
color temperature adjustable (4 stages)
light intensity adjustable (5 stages)

SENSOR

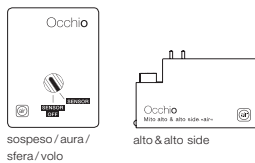
»touchless control« (gesture control)
switching, dimming, up / down fading*
»color tune« (color temperature continuously adjustable)
no external dimming possible

*not with sfera

soffitto / alto / alto side:

COLOR
adjustable color temperature (4 steps)
trailing-edge phase cut dimming possible

Mito »air« box



sospeso / aura / sfera / volo

alto & alto side



Occhio air (Bluetooth control using Occhio air app) or air controller (optional) control of individual luminaires, groups and scenes

sospeso / aura / sfera / volo:

SENSOR
»air« + »touchless control« (Bluetooth- and gesture control)
control via »touchless control« and Occhio air app or »air« controller

SENSOR OFF

»air«
control via Occhio air App or »air« controller
switching, dimming, up / down fading »color tune« (color temperature continuously adjustable)



terra / raggio / largo / soffitto / alto flat

terra / largo / raggio:

»air«, »touchless control« and »body sensor« (raggio / terra) (Bluetooth- and gesture control)
control via »touchless control«, »body sensor« and Occhio air App or »air« controller

alto / alto side:

»air« (Bluetooth - control)
control via Occhio air App or »air« controller
switching, dimming
»color tune« (color temperature continuously adjustable)

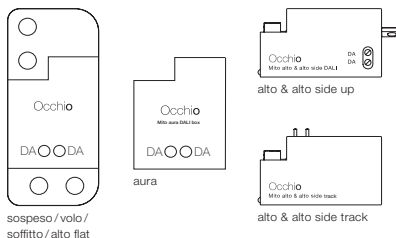
»ambient light control« (terra)
adjustment to ambient light

»presence sensor« (terra)
presence identification and automatically shutdown by presence sensor

deactivation and adjustable via control and sensor with »air« app

with Mito »air« box no external dimming possible

Mito DALI box (control via DALI)



sospeso / volo / soffitto / alto flat

aura

alto & alto side up

alto & alto side track

sospeso / aura / volo:

– color tune adjustable*
– adjust continuously dimming
– up + downlight separate controllable (two DALI addresses needed)
– no »touchless control«, no fading

soffitto / alto / alto side:

– color tune adjustable*
– continuously dimming

* DALI controller DALI Device type 8 (DT8) for controlling of the color tune necessary further signs on www.occhio.com/dali