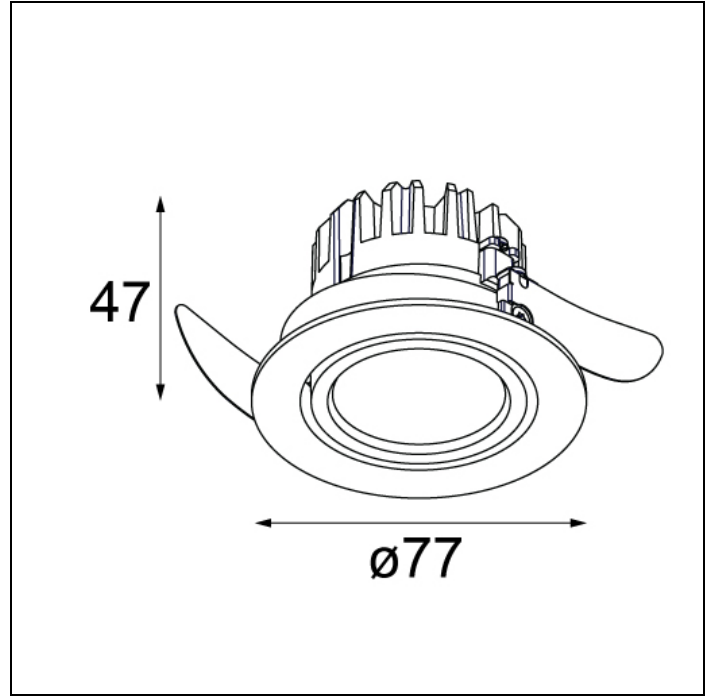
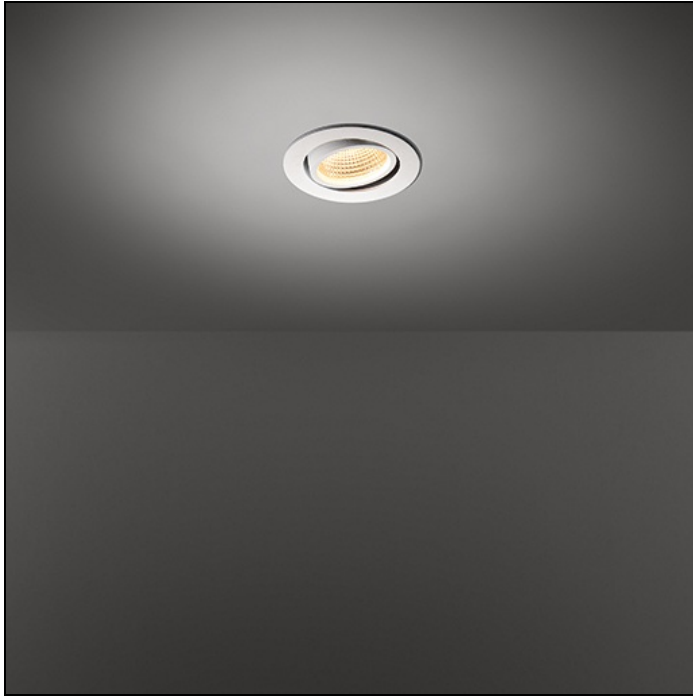


K77 ADJUSTABLE



K77 ADJUSTABLE LED GE

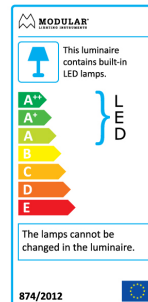
K77 was developed as an extension to K72. With the LED dedicated rework of the K we honour an icon. A timeless, adjustable spot for general/accent lighting product that will remain in the Modular portfolio for many years to come. Just like its K72 counterpart, K77 is available in donkey grey and white structure.

Art. Nr. 14050209

SPECIFICATIONS

| | | |
|----------------|--------------------|---------------|
| Lamp | 1x LED Array | |
| Gear / Transfo | LED gear not incl. | |
| Cut-out size | ø 70 h 60 | |
| Weight | 0.21kg | |
| Min. Distance | 0.1 | |
| IP | IP20 | |
| Glow Wire Test | 960° | |
| CRI | 90 | |
| Power supply | 350mA | 500mA |
| | 17.8Vf | 18.4Vf |
| Connected load | 6.2W | 9.2W |
| Lumen | 510lm | 686lm |
| Efficacy | 82lm/W | 75lm/W |
| UGR | 20 | 21 |
| Adjustability | h 360° v -30°/+30° | |
| Remark | ! 3500K on request | |

| | WARM WHITE 2700K / CRI 90+ | | | WARM WHITE 3000K / CRI 90+ | | | NEUTRAL WHITE 4000K / CRI 90+ | | |
|-------------------|-------------------------------|---------------|-----------------|-------------------------------|---------------|--------------|----------------------------------|---------------|--------------|
| | SPOT 15° | MEDIUM 25° | FLOOD 40° | SPOT 15° | MEDIUM 25° | FLOOD 40° | SPOT 15° | MEDIUM 25° | FLOOD 40° |
| black struc | 14050032 | 14050132 | 14050232 | 14050332 | 14050432 | 14050532 | 14050632 | 14050732 | 14050832 |
| donkey grey struc | 14050071 | 14050171 | 14050271 | 14050371 | 14050471 | 14050571 | 14050671 | 14050771 | 14050871 |
| white struc | 14050009 | 14050109 | 14050209 | 14050309 | 14050409 | 14050509 | 14050609 | 14050709 | 14050809 |



This label is available in other languages:
<http://supemodular.com/assets/TYPE2.pdf>

K77 ADJUSTABLE LED GE

ACCESSORIES

HUE-DEVICE

| | |
|----------|---------------------------|
| 70000615 | PHILIPS HUE TAP SWITCH |
| 70000614 | PHILIPS HUE DIMMER SWITCH |
| 70000847 | PHILIPS HUE SENSOR |

HUE-BRIDGE

| | |
|----------|-----------------------|
| 70000616 | PHILIPS HUE BRIDGE EU |
| 70000617 | PHILIPS HUE BRIDGE UK |

HUE-MODULE

| | |
|----------|---|
| 13190030 | MODULAR CONNECTED 1-10V WHITE COMPONENT |
|----------|---|

CONBOX

| | |
|----------|------------------------|
| 10889830 | CONBOX 190X192X130X256 |
|----------|------------------------|

GYPKIT

| | |
|----------|----------------------|
| 12290130 | GYPKIT 190X190 - Ø70 |
|----------|----------------------|

DRIVER-LED

| | |
|----------|--------------------|
| 12403730 | LED GEAR 350MA 15W |
|----------|--------------------|