

MINI MULTIPLE FOR 2X LED GE

Twenty years after its initial launch, Mini multiple is still a coveted luminaire. Mini multiple is the reference of our architectural lighting portfolio. The technology is on full display and allows this luminaire to fit well into both a minimalist and an industrial-chic environment. The gimballed system allows you to direct the light source at any angle of your choice. Mini multiple has a very subtle alu trim. Available in one-, two-, three- and four lamps versions in different colours. Connect Mini multiple with Smart by adding the Smart frontrings to your recessed spot.

Art. Nr. 13130105

SPECIFICATIONS

| | |
|----------------|------------------------------|
| Lamp | 2x LED (not incl.) |
| Gear / Transfo | LED gear not incl. |
| Cut-out size | l 210 w 110 h 120 |
| Weight | 1.04kg |
| Min. Distance | 0.1 m |
| Power supply | |
| IP | IP20 |
| Glow Wire Test | 960° |
| Adjustability | v -35°/+35° |
| Remark | ! must be used with M-LED 70 |

alu - black

13130105

white struc

13130109



MINI MULTIPLE FOR 2X LED GE

ACCESSORIES

M-LED

| | |
|----------|--------------------------------------|
| 14070002 | M-LED 70 2700K SPOT GE BLACK MATT |
| 14070102 | M-LED 70 2700K MEDIUM GE BLACK MATT |
| 14070202 | M-LED 70 2700K FLOOD GE BLACK MATT |
| 14070209 | M-LED 70 2700K FLOOD GE WHITE STRUC |
| 14070109 | M-LED 70 2700K MEDIUM GE WHITE STRUC |
| 14070302 | M-LED 70 3000K SPOT GE BLACK MATT |
| 14070009 | M-LED 70 2700K SPOT GE WHITE STRUC |
| 14070309 | M-LED 70 3000K SPOT GE WHITE STRUC |
| 14070402 | M-LED 70 3000K MEDIUM GE BLACK MATT |
| 14070409 | M-LED 70 3000K MEDIUM GE WHITE STRUC |
| 14070502 | M-LED 70 3000K FLOOD GE BLACK MATT |
| 14070509 | M-LED 70 3000K FLOOD GE WHITE STRUC |
| 14070609 | M-LED 70 4000K SPOT GE WHITE STRUC |
| 14070809 | M-LED 70 4000K FLOOD GE WHITE STRUC |
| 14070802 | M-LED 70 4000K FLOOD GE BLACK MATT |
| 14070709 | M-LED 70 4000K MEDIUM GE WHITE STRUC |
| 14070702 | M-LED 70 4000K MEDIUM GE BLACK MATT |
| 14070602 | M-LED 70 4000K SPOT GE BLACK MATT |

HUE-DEVICE

| | |
|----------|---------------------------|
| 70000847 | PHILIPS HUE SENSOR |
| 70000615 | PHILIPS HUE TAP SWITCH |
| 70000614 | PHILIPS HUE DIMMER SWITCH |

HUE-MODULE

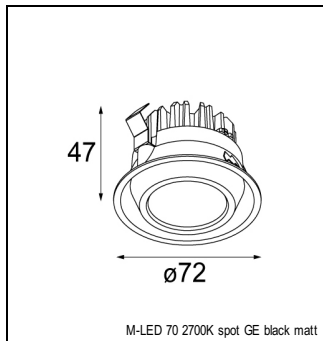
| | |
|----------|---|
| 13190030 | MODULAR CONNECTED 1-10V WHITE COMPONENT |
|----------|---|

HUE-BRIDGE

| | |
|----------|-----------------------|
| 70000617 | PHILIPS HUE BRIDGE UK |
| 70000616 | PHILIPS HUE BRIDGE EU |

GYPKIT

| | |
|----------|------------------------|
| 10420230 | GYPKIT 240X287X210X110 |
|----------|------------------------|



ACCESSORIES

CONBOX

| | |
|----------|------------------------|
| 10400230 | CONBOX 257X222X147X321 |
|----------|------------------------|