

SMART CAKE 115 LED GE

Smart cake is part of the Smart family. This family's styling is based on our most popular iconic designs. Its gently sloping sides ensure a soft distribution of light. Since its introduction in 2010, Smart has become an extensive portfolio with a broad range of accessories. Concretely this means that the luminaires consist of a light source (LED, halogen), which can be combined with one of three trims to suit your needs. The new spotlights can be combined with Smart mask, Smart surface box or surface tubed to form the perfect solution for any interior. Choose a white, black or gold finishing. Also available in different sizes, fix and adjustable, IP version, ...

Art. Nr. 12741009

SPECIFICATIONS

| | | | |
|----------------|--|-----------------------------|---------------|
| Lamp | 1x LED Array | | |
| Gear / Transfo | LED gear not incl. | | |
| Cut-out size | ø 108 h 100 | | |
| Weight | 0.522kg | | |
| Min. Distance | 0.1 | | |
| IP | IP20 | | |
| Glow Wire Test | 960° | | |
| Lifetime | L80 B20 @ 50.000 hrs | | |
| CRI | 90 | | |
| Power supply | 350mA 31Vf | 500mA 32Vf | 700mA 34Vf |
| Connected load | 11W | 16.25W | 23.6W |
| Lumen | 1019lm | 1397lm | 1858lm |
| Efficacy | 93lm/W | 86lm/W | 79lm/W |
| UGR | 19 | 20 | 21 |
| Adjustability | Not Applicable | | |
| Remark | ! 3500K on request ! can be combined with Smart mask ! can be combined with Smart surface box & surface tubed (surface/suspension) | | |

| | WARM WHITE 2700K / CRI 90+ | | | NEUTRAL WHITE 4000K / CRI 90+ | | | WARM WHITE 3000K / CRI 90+ | | |
|-------------|-------------------------------|-------------|--------------|----------------------------------|-------------|--------------|-------------------------------|---------------|--------------|
| | MEDIUM 25° | SPOT 15° | FLOOD 40° | MEDIUM 25° | SPOT 15° | FLOOD 40° | SPOT 15° | MEDIUM 25° | FLOOD 40° |
| black struc | 12741032 | 12741232 | 12741332 | 12741132 | 12741732 | 12741832 | 12741432 | 12741532 | 12741632 |
| gold | 12741046 | 12741246 | 12741346 | 12741146 | 12741746 | 12741846 | 12741446 | 12741546 | 12741646 |
| white struc | 12741009 | 12741209 | 12741309 | 12741109 | 12741709 | 12741809 | 12741409 | 12741509 | 12741609 |



This label is available in other languages:
<http://supmodular.com/assets/TYPE2.pdf>



SMART CAKE 115 LED GE

ACCESSORIES

CONBOX

10889830 | CONBOX 190X192X130X256

RECESSED-FRAME

12810230 | RECESSED RING Ø127 H100

SURFACE-TUBED

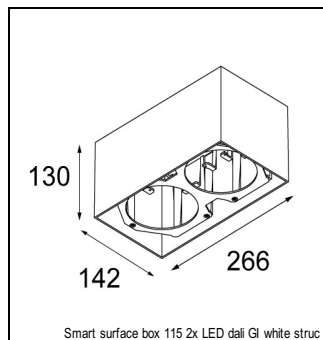
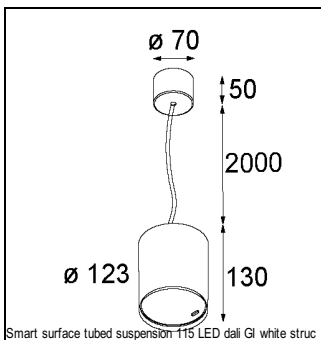
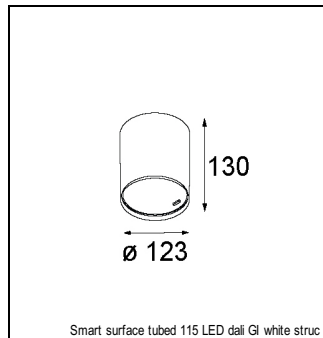
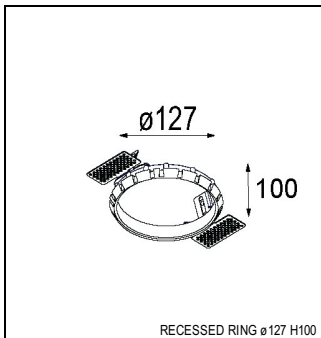
| | |
|----------|---|
| 13140309 | SMART SURFACE TUBED 115 LED DALI GI WHITE STRUC |
| 13140332 | SMART SURFACE TUBED 115 LED DALI GI BLACK STRUC |
| 13140324 | SMART SURFACE TUBED 115 LED DALI GI BRUSHED ALU |
| 13140209 | SMART SURFACE TUBED 115 LED 1-10V/PUSHDIM GI WHITE STRUC |
| 13140232 | SMART SURFACE TUBED 115 LED 1-10V/PUSHDIM GI BLACK STRUC |
| 13140224 | SMART SURFACE TUBED 115 LED 1-10V/PUSHDIM GI BRUSHED ALU |
| 13140109 | SMART SURFACE TUBED 115 LED TRE DIM GI WHITE STRUC |
| 13140132 | SMART SURFACE TUBED 115 LED TRE DIM GI BLACK STRUC |
| 13140124 | SMART SURFACE TUBED 115 LED TRE DIM GI BRUSHED ALU |
| 13141309 | SMART SURFACE TUBED SUSPENSION 115 LED DALI GI WHITE STRUC |
| 13141332 | SMART SURFACE TUBED SUSPENSION 115 LED DALI GI BLACK STRUC |
| 13141324 | SMART SURFACE TUBED SUSPENSION 115 LED DALI GI BRUSHED ALU |
| 13141209 | SMART SURFACE TUBED SUSPENSION 115 LED 1-10V/PUSHDIM GI WHITE STRUC |
| 13141232 | SMART SURFACE TUBED SUSPENSION 115 LED 1-10V/PUSHDIM GI BLACK STRUC |
| 13141224 | SMART SURFACE TUBED SUSPENSION 115 LED 1-10V/PUSHDIM GI BRUSHED ALU |
| 13141109 | SMART SURFACE TUBED SUSPENSION 115 LED TRE DIM GI WHITE STRUC |
| 13141132 | SMART SURFACE TUBED SUSPENSION 115 LED TRE DIM GI BLACK STRUC |
| 13141124 | SMART SURFACE TUBED SUSPENSION 115 LED TRE DIM GI BRUSHED ALU |

GYPKIT

12290530 | GYPKIT 190X190 - Ø108

SURFACE-BOX

| | |
|----------|---|
| 12801209 | SMART SURFACE BOX 115 2X LED DALI GI WHITE STRUC |
| 12801232 | SMART SURFACE BOX 115 2X LED DALI GI BLACK STRUC |
| 12801109 | SMART SURFACE BOX 115 2X LED 1-10V/PUSHDIM GI WHITE STRUC |
| 12801132 | SMART SURFACE BOX 115 2X LED 1-10V/PUSHDIM GI BLACK STRUC |



ACCESSORIES

SURFACE-BOX

| | |
|----------|---|
| 12801009 | SMART SURFACE BOX 115 2X LED TRE DIM GI WHITE STRUC |
| 12801032 | SMART SURFACE BOX 115 2X LED TRE DIM GI BLACK STRUC |
| 12800209 | SMART SURFACE BOX 115 1X LED DALI GI WHITE STRUC |
| 12800232 | SMART SURFACE BOX 115 1X LED DALI GI BLACK STRUC |
| 12800109 | SMART SURFACE BOX 115 1X LED 1-10V/PUSHDIM GI WHITE STRUC |
| 12800132 | SMART SURFACE BOX 115 1X LED 1-10V/PUSHDIM GI BLACK STRUC |
| 12800009 | SMART SURFACE BOX 115 1X LED TRE DIM GI WHITE STRUC |
| 12800032 | SMART SURFACE BOX 115 1X LED TRE DIM GI BLACK STRUC |

MASK

| | |
|----------|-------------------------------|
| 12810132 | SMART MASK 115 2X BLACK STRUC |
| 12810109 | SMART MASK 115 2X WHITE STRUC |
| 12810146 | SMART MASK 115 2X GOLD |
| 12810032 | SMART MASK 115 1X BLACK STRUC |
| 12810009 | SMART MASK 115 1X WHITE STRUC |
| 12810046 | SMART MASK 115 1X GOLD |

HUE-MODULE

13190030 | MODULAR CONNECTED 1-10V WHITE COMPONENT

HUE-DEVICE

| | |
|----------|---------------------------|
| 70000847 | PHILIPS HUE SENSOR |
| 70000614 | PHILIPS HUE DIMMER SWITCH |
| 70000615 | PHILIPS HUE TAP SWITCH |

HUE-BRIDGE

| | |
|----------|-----------------------|
| 70000616 | PHILIPS HUE BRIDGE EU |
| 70000617 | PHILIPS HUE BRIDGE UK |

