

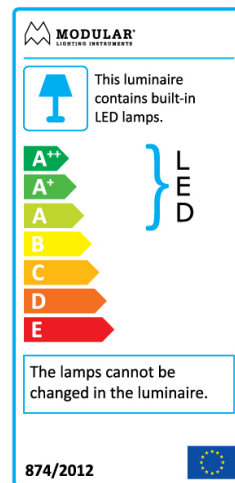
MINI MULTIPLE FOR SMART RINGS 3X LED GE

Twenty years after its initial launch, Mini multiple is still a coveted luminaire. Mini multiple is the reference of our architectural lighting portfolio. The technology is on full display and allows this luminaire to fit well into both a minimalist and an industrial-chic environment. The gimbaled system allows you to direct the light source at any angle of your choice. Mini multiple has a very subtle alu trim. Available in one-, two-, three- and four lamps versions in different colours. Connect Mini multiple with Smart by adding the Smart frontrings to your recessed spot.

Art. Nr. 12526205

SPECIFICATIONS

| | |
|----------------|----------------------|
| Lamp | 3x LED Array 9.2W |
| Gear / Transfo | LED gear not incl. |
| Cut-out size | l 315 w 110 h 120 |
| Weight | 1.59kg |
| Min. Distance | 0.1 m |
| Power supply | 500mA |
| IP | IP20 |
| Glow Wire Test | 960° |
| Lifetime | L80 B20 @ 50.000 hrs |
| CRI | 90 |
| Adjustability | v -35°/+35° |



This label is available in other languages:
<http://supermodular.com/assets/TYPE2.pdf>

| | WARM WHITE 2700K / CRI 90+ | WARM WHITE 3000K / CRI 90+ | NEUTRAL WHITE 4000K / CRI 90+ |
|-------------|-------------------------------|-------------------------------|----------------------------------|
| alu-black | 12526005 | 12526105 | 12526205 |
| white struc | 12526009 | 12526109 | 12526209 |



MINI MULTIPLE FOR SMART RINGS 3X LED GE

ACCESSORIES

CONBOX

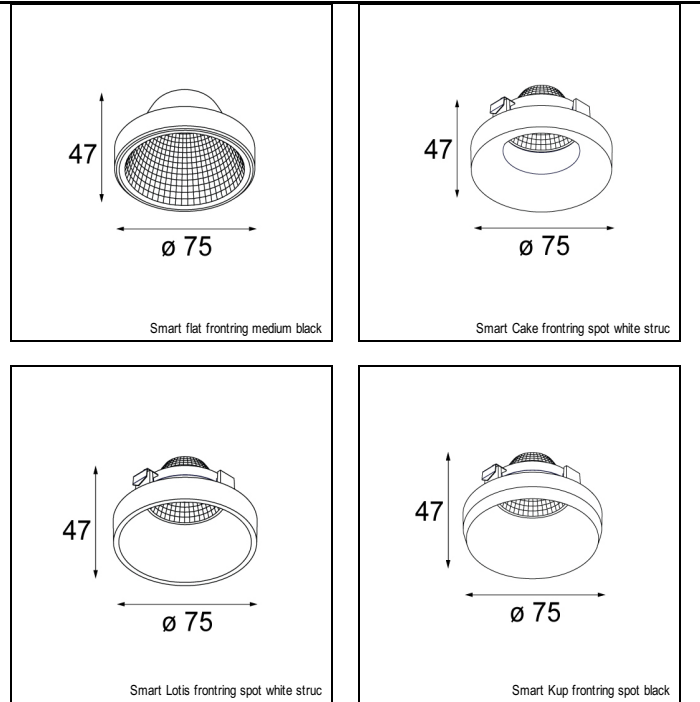
10400330 | CONBOX 257X327X147X321

GYPKIT

10420330 | GYPKIT 345X287X315X110

FRONTRING

| | |
|----------|--|
| 12553002 | SMART FLAT FRONTRING MEDIUM BLACK |
| 12553202 | SMART FLAT FRONTRING SPOT BLACK |
| 12553209 | SMART FLAT FRONTRING SPOT WHITE STRUC |
| 12553009 | SMART FLAT FRONTRING MEDIUM WHITE STRUC |
| 12553102 | SMART FLAT FRONTRING FLOOD BLACK |
| 12553109 | SMART FLAT FRONTRING FLOOD WHITE STRUC |
| 12554209 | SMART CAKE FRONTRING SPOT WHITE STRUC |
| 12554202 | SMART CAKE FRONTRING SPOT BLACK |
| 12554009 | SMART CAKE FRONTRING MEDIUM WHITE STRUC |
| 12554002 | SMART CAKE FRONTRING MEDIUM BLACK |
| 12554109 | SMART CAKE FRONTRING FLOOD WHITE STRUC |
| 12554102 | SMART CAKE FRONTRING FLOOD BLACK |
| 12555209 | SMART LOTIS FRONTRING SPOT WHITE STRUC |
| 12555202 | SMART LOTIS FRONTRING SPOT BLACK |
| 12555009 | SMART LOTIS FRONTRING MEDIUM WHITE STRUC |
| 12555002 | SMART LOTIS FRONTRING MEDIUM BLACK |
| 12555109 | SMART LOTIS FRONTRING FLOOD WHITE STRUC |
| 12555102 | SMART LOTIS FRONTRING FLOOD BLACK |
| 12556202 | SMART KUP FRONTRING SPOT BLACK |
| 12556209 | SMART KUP FRONTRING SPOT WHITE STRUC |
| 12556002 | SMART KUP FRONTRING MEDIUM BLACK |
| 12556009 | SMART KUP FRONTRING MEDIUM WHITE STRUC |
| 12556109 | SMART KUP FRONTRING FLOOD WHITE STRUC |
| 12556102 | SMART KUP FRONTRING FLOOD BLACK |



ACCESSORIES

HUE-MODULE

13190030 | MODULAR CONNECTED 1-10V WHITE COMPONENT

HUE-BRIDGE

| | |
|----------|-----------------------|
| 70000616 | PHILIPS HUE BRIDGE EU |
| 70000617 | PHILIPS HUE BRIDGE UK |

HUE-DEVICE

| | |
|----------|---------------------------|
| 70000614 | PHILIPS HUE DIMMER SWITCH |
| 70000615 | PHILIPS HUE TAP SWITCH |
| 70000847 | PHILIPS HUE SENSOR |