



SMART KUP 82 IP54 LED GE

Smart kup is one of the 3 forms of the Smart family. The cone of the Smart kup ends in a fine trim. A trim particular Modular. The same subtle trim is used in several other Modular luminaires. The Smart family's styling is based on our most popular designs. Concretely this means that the luminaires consist of a light source (LED or halogen) which can be combined with one of three trims to suit your needs. The new spotlights can be combined with Smart mask, Smart surface box or surface tubed to form the perfect solution for any interior. Choose a white, black or gold finishing. Also available in different sizes, fix and adjustable, IP version, ...

Art. Nr. 12472232

SPECIFICATIONS

Lamp	1x LED Array	
Gear / Transfo	LED gear not incl.	
Cut-out size	ø 70 h 60	
Weight	0.36kg	
Min. Distance	0.1 m	
IP	IP54	
Glow Wire Test	960°	
Lifetime	L80 B20 @ 50.000 hrs	
CRI	90	
Power supply	350mA	500mA
	17.8Vf	18.4Vf
Connected load	6.2W	9.2W
Lumen	518lm	651lm
Efficacy	84lm/W	71lm/W
UGR	15	15
Adjustability	Not Applicable	
Remark	! 3500K on request ! can be combined with Smart mask ! can be combined with Smart surface box & surface tubed (surface/suspension)	

	WARM WHITE 2700K / CRI 90+			NEUTRAL WHITE 4000K / CRI 90+			WARM WHITE 3000K / CRI 90+		
	MEDIUM 25°	FLOOD 40°	SPOT 15°	FLOOD 40°	MEDIUM 25°	SPOT 15°	MEDIUM 25°	FLOOD 40°	SPOT 15°
black struc	12472032	12472132	12472632	12472232	12472532	12472832	12472332	12472432	12472732
gold	12472046	12472146	12472646	12472246	12472546	12472846	12472346	12472446	12472746
white struc	12472009	12472109	12472609	12472209	12472509	12472809	12472309	12472409	12472709



This label is available in other languages:
<http://supmodular.com/assets/TYPE2.pdf>



SMART KUP 82 IP54 LED GE

ACCESSORIES

CONBOX

10889830 | CONBOX 190X192X130X256

SURFACE-TUBED

- 12842409 | SMART SURFACE TUBED SUSPENSION 82 XL LED DALI GI WHITE STRUC
- 12842432 | SMART SURFACE TUBED SUSPENSION 82 XL LED DALI GI BLACK STRUC
- 12842424 | SMART SURFACE TUBED SUSPENSION 82 XL LED DALI GI BRUSHED ALU
- 12842309 | SMART SURFACE TUBED SUSPENSION 82 XL LED 1-10V/PUSHDIM GI WHITE STRUC
- 12842332 | SMART SURFACE TUBED SUSPENSION 82 XL LED 1-10V/PUSHDIM GI BLACK STRUC
- 12842324 | SMART SURFACE TUBED SUSPENSION 82 XL LED 1-10V/PUSHDIM GI BRUSHED ALU
- 12842209 | SMART SURFACE TUBED SUSPENSION 82 XL LED TRE DIM GI WHITE STRUC
- 12842232 | SMART SURFACE TUBED SUSPENSION 82 XL LED TRE DIM GI BLACK STRUC
- 12842224 | SMART SURFACE TUBED SUSPENSION 82 XL LED TRE DIM GI BRUSHED ALU
- 12842009 | SMART SURFACE TUBED SUSPENSION 82 LARGE LED GI WHITE STRUC
- 12842032 | SMART SURFACE TUBED SUSPENSION 82 LARGE LED GI BLACK STRUC
- 12842024 | SMART SURFACE TUBED SUSPENSION 82 LARGE LED GI BRUSHED ALU
- 12845009 | SMART SURFACE TUBED 82 LARGE LED GE WHITE STRUC
- 12845032 | SMART SURFACE TUBED 82 LARGE LED GE BLACK STRUC
- 12845024 | SMART SURFACE TUBED 82 LARGE LED GE BRUSHED ALU
- 12844009 | SMART SURFACE TUBED 82 LARGE LED GI WHITE STRUC
- 12844032 | SMART SURFACE TUBED 82 LARGE LED GI BLACK STRUC
- 12844024 | SMART SURFACE TUBED 82 LARGE LED GI BRUSHED ALU

GYPKIT

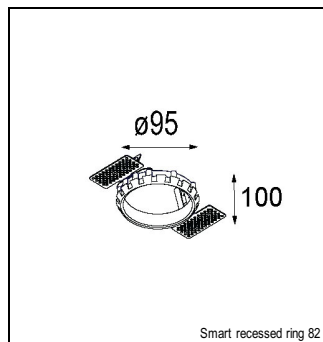
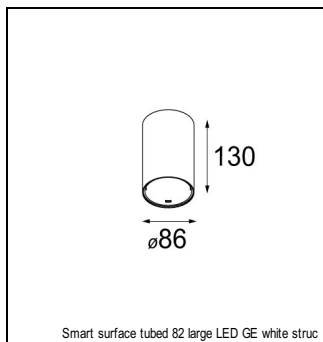
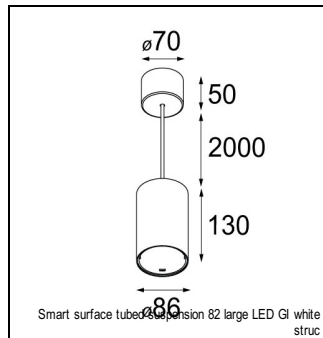
12291030 | GYPKIT 210X190-2XØ70 R35-88
 12290130 | GYPKIT 190X190 - Ø70

RECESSED-FRAME

12500230 | SMART RECESSED RING 82

MASK

12500132 | SMART MASK 82 2X BLACK STRUC
 12500109 | SMART MASK 82 2X WHITE STRUC
 12500146 | SMART MASK 82 2X GOLD



ACCESSORIES

MASK

12500032 | SMART MASK 82 1X BLACK STRUC
 12500009 | SMART MASK 82 1X WHITE STRUC
 12500046 | SMART MASK 82 1X GOLD

SURFACE-BOX

12515109 | SMART SURFACE BOX 82 2X LED 1-10V/PUSHDIM GI WHITE STRUC
 12515132 | SMART SURFACE BOX 82 2X LED 1-10V/PUSHDIM GI BLACK STRUC
 12515009 | SMART SURFACE BOX 82 2X LED TRE DIM GI WHITE STRUC
 12515032 | SMART SURFACE BOX 82 2X LED TRE DIM GI BLACK STRUC
 12514109 | SMART SURFACE BOX 82 1X LED 1-10V/PUSHDIM GI WHITE STRUC
 12514132 | SMART SURFACE BOX 82 1X LED 1-10V/PUSHDIM GI BLACK STRUC
 12514009 | SMART SURFACE BOX 82 1X LED TRE DIM GI WHITE STRUC
 12514032 | SMART SURFACE BOX 82 1X LED TRE DIM GI BLACK STRUC

HUE-DEVICE

70000847 | PHILIPS HUE SENSOR
 70000615 | PHILIPS HUE TAP SWITCH
 70000614 | PHILIPS HUE DIMMER SWITCH

HUE-BRIDGE

70000616 | PHILIPS HUE BRIDGE EU
 70000617 | PHILIPS HUE BRIDGE UK

HUE-MODULE

13190030 | MODULAR CONNECTED 1-10V WHITE COMPONENT

