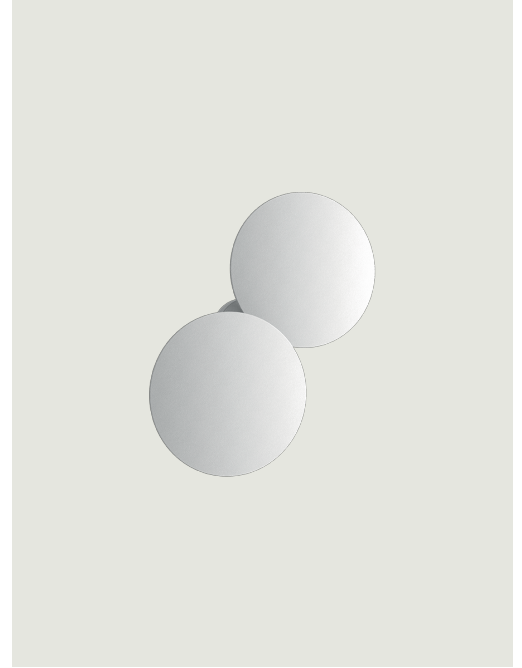


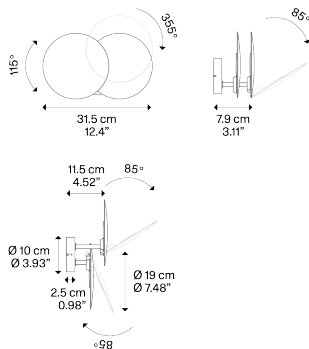
## Puzzle Outdoor, Design by Studio Italia Design

### Model Puzzle Outdoor round double

Puzzle Outdoor is a collection designed to enhance the outdoor spaces of homes and buildings, from the façade to the terrace, making them pleasant and comfortable at any time of day. Discrete by day, adaptable to any type of architecture, these lamps featured in essential shapes light up suggestive atmospheres after sundown.



Puzzle Outdoor round double



Light source

LED  
3000 K  
2 x 16 W / 3400 lm  
220-240 V  
CRI 92  
MacAdam 3-Step

LED included

Structure: Metal

● Matte White – 9016

● Anthracite Black

Code

15992 1030

15992 4430

Net weight: 1.30 kg

Parcels: 1



IP65

Energy Saving

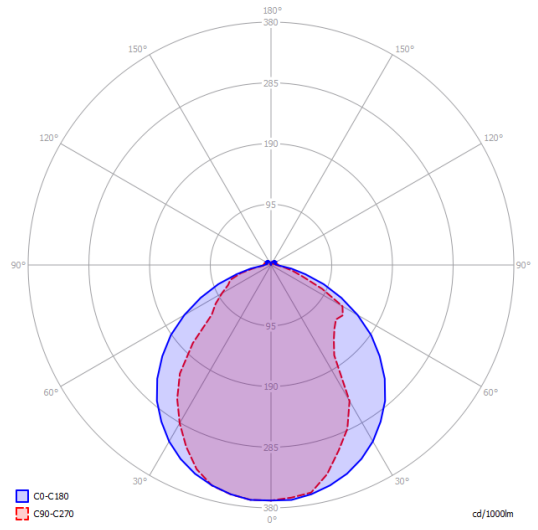
Dim Triac



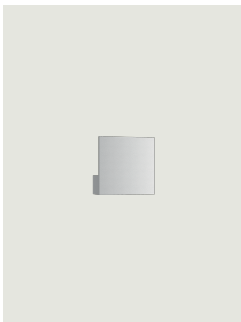
## Puzzle Outdoor round double

## Polar diagram

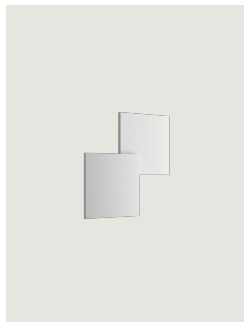
LED  
3000 K  
2 x 16 W / 3400 lm  
220-240 V  
CRI 92  
MacAdam 3-Step



## Options of Puzzle Outdoor



Puzzle Outdoor single square

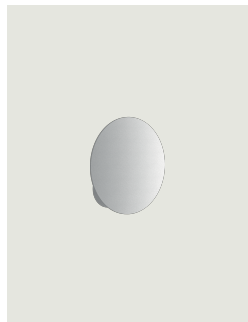


Puzzle Outdoor double square



Puzzle Outdoor square & rectangle

Untitled



Puzzle Outdoor round single