

NANDO suspension

Luca De Bona and Dario De Meo design

year 2015

TECHNICAL SHEET - SE109 1G INT

STRUCTURE "A"

material metal
colour charcoal-grey



CEILING CUP "E"

material metal
colour matt black

ELECTRICAL CABLE "C"

material fabric cable
colour black



ELECTRICAL SYSTEM

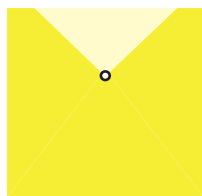
socket E27
source max 1x77w
energy class from E to A++

PACKAGING

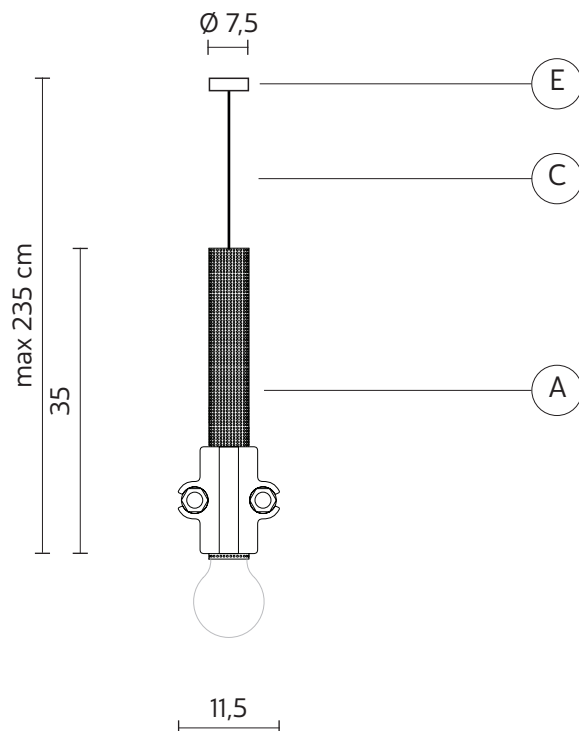
nr. of collis 1
net weight/kg 1,7
gross weight/kg 2
packaging/cm 32x25x32

EMISSION OF LIGHT

one-directional



direct
filtered
indirect
none



CERTIFICATION

IEC 60598-1:2008
EN 60598-1:2008 + A11:2009



IP rate IP20
bulb optional



item number **700L**
decorative bulb
E27 - 25w - ≤ 60 lumen
class E

these items are special, decorative bulbs not for illumination purposes

COLLECTION

